

CATALOG



Tires | Lubricants | Batteries | Tools and supplies | Car care products
Equipment | Brake pads | Filters | Car accessories | Wiper blades



Since 1960

81 88 81 81
05 40 00 08

CUSTOMER SERVICE:
81 81 81 11

SECTOR 32 - STREET 49
CHOUEIFAT - LEBANON

INFO@SAKA.COM.LB
WWW.SAKA.COM.LB

BRIGHT ABOUT US

The company was founded in 1988, before that time the company name was Ying Kou Bright Instrument Factory. Bright did produce the first Chinese tire changer in 1993. During the past 30 years, Bright did improve and complete the product range while the products functionality was enhanced considerably. During the same time, the production process become lean and the production quality and consistency was improved by the usage of CNC's high precision robot's lines.

In Aug 2017, Bright did joint-venture with the Italian Nexion group. This important step allows Bright to adopt and use the advanced technology developed by Nexion in 65 years of experience, making Bright products the most technology advanced manufactured in China. We would like to make you aware that, beside advanced and quality products, we also sell responsibility and services. We are sure that Bright products will create and bring value to all our customers.

Our company produces automobile service equipment and provides complete service solutions which includes: Tire changers and wheel balancers products for motorcycles, cars, trucks, engineering trucks, that are used on all professional shops. Solutions for the mobile tire services. Automobile wheel alignment products. Automobile lift products etc.

The Company output can reach 70,000 units per year, besides a large market share in the Chinese territory, we export in over 100 countries like Europe, America, Australia etc.

We have nearly 500 employees at the present factory, mainly divided into several areas: Brand operation, manufacturing, testing and inspection, R&D. The total factory area covers 38,000 square meters. Since 2014, together with Bright Branch in the Netherland, we have developed our new premium products line with a proprietary design covered by an intellectual property rights. Our Netherland branch includes distribution, R&D and marketing. Our international distributors network keeps growing year after year. Bright distributors promote and sale the Premium products line as an exclusive and advanced automotive service equipment to the end users.

The Bright premium products line is successfully promoted in a worldwide market which further enhanced the already well-established brand position in the international professional market.



**EVERY MINUTE
EVERY CORNER
BRIGHT PRODUCT
BE ON DUTY**





**BRIGHT 30
YEARS**

WHY BRIGHT...

Bright 30 years

209,082 equipment units were sold since company foundation in 1988. Our products are creating value to all our customers around the world.

R&D team both in China and Overseas

The Company set up an Italian R&D center in 2006 which cooperated with the Techno Group in 2012 which is responsible for the Bright industrial design.

The Company has joint-venture with the Italian Nexion group in Aug 2017, this allowed access to a full line of Italian technology wheel alignments and lift products, but we gain also access to high end technology for tire changers and wheel balancers.

Bright comprehensive services

We sell full responsibility together with our products. Our service technicians are travelling continuously to provide service and support to our customers. They travel an average of more than 100,000 kilometers per year. Bright service training center has trained distributors from all over the world every year, exporting a strong technical service knowledge and expertise. Bright is like your heart, is always at your services. The Company has a technical R&D base in Italy which mainly provides solid foundation for the Bright global technical service strategy.

Solution expert

At present, Bright has 12 solutions for different customer requests which includes: truck, bus, engineering truck, high-emission motorcycle, mobile service and Aero tire etc....



BRIGHT

TIRE CHANGER SERIES

5
30th



899C GO AFTER THE SUPERLATIVE

8 years' test by the Rolls-Royce tire service provider, being used by 45 auto modified shops, hundreds of modifications, being the first choice of high-end tire service shop and auto modified shops



1300 MM



13" - 30"



--



3" - 13"



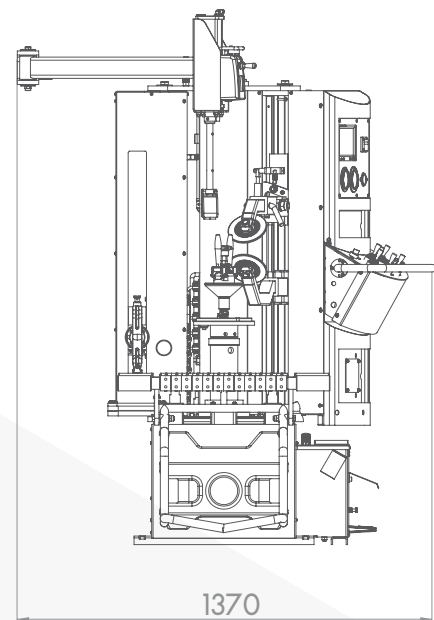
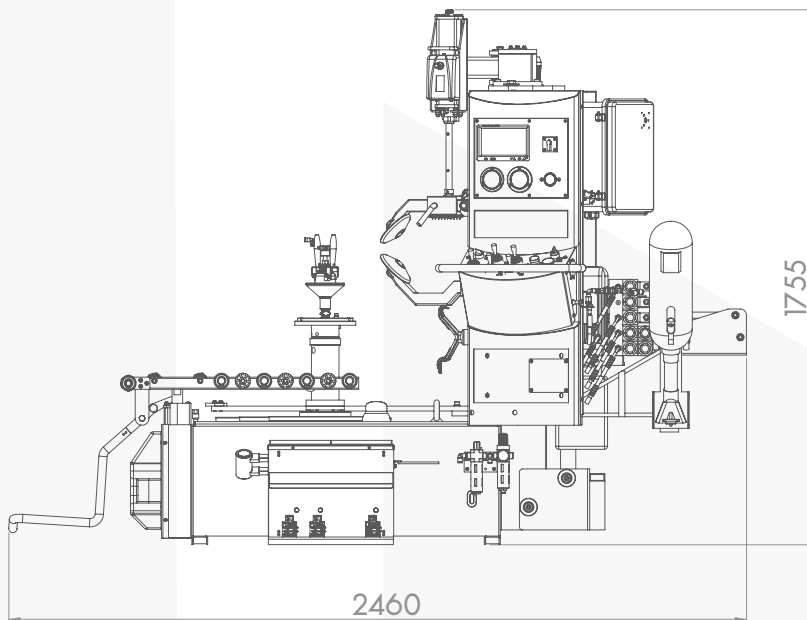
8 - 10 bar



6,5 - 13 rpm

BRIGHT 899 C

Line Drawing



Description

More powerful and more steady, continuously provide the power to the operator with the hydraulic power system. 8 years' test by the Rolls-Royce tire service provider, being used by 45 auto modified shops, hundreds of modifications, being the first choice of high-end tire service shop and auto modified shops.

Selling Point

- The upper and bottom bead breaker discs are controlled by hydraulic force, having strong power to increase the demounting efficiency. The maximum bead breaker force can reach to 1400kg.
- The demounting head can be automatic shift to increase the mounting and demounting efficiency.
- The automatic lifting device with lifting power 80KG which can assist operator to lift up the wheel.
- The main shaft is movable in order to adapt different diameter of rims, always keep alignment with the demounting hook.
- The two shift of the main shaft can be adjusted up and down to increase the demounting rim width.
- Standardly equipped with LCD monitoring system, which shows the tire moving position more intuitively.
- The pump motor has automatic stand-by function after no operation for 3 minutes to save energy.

Technical data

Rim range	10" - 30" inch
Rim width	3" - 13" inch
Max wheel diameter	1300 mm
Working pressure	8 - 10 bar
Bead breaking force	1400 kg
Powers supply	110V/220V/380V
Motor Power	0.85kW/1.1kW
Rotation per minute	6.5/13rpm
Noise	< 70dB
Machine dimensions	2460×1370×1755 mm
Packing dimensions	1680×1150×2000 mm
Net weight	584 kg
Gross weight	692 kg
Loading in 40 Ft. container	14 pcs

896V NOT JUST HIGH-END

In each era there are some classics. Distinguished machine body, synchronously movable bead breaker device, with classic leverless system which allows it to deal with difficult tire issues with a ease.



1200 MM



13" - 30"



--



3" - 14"



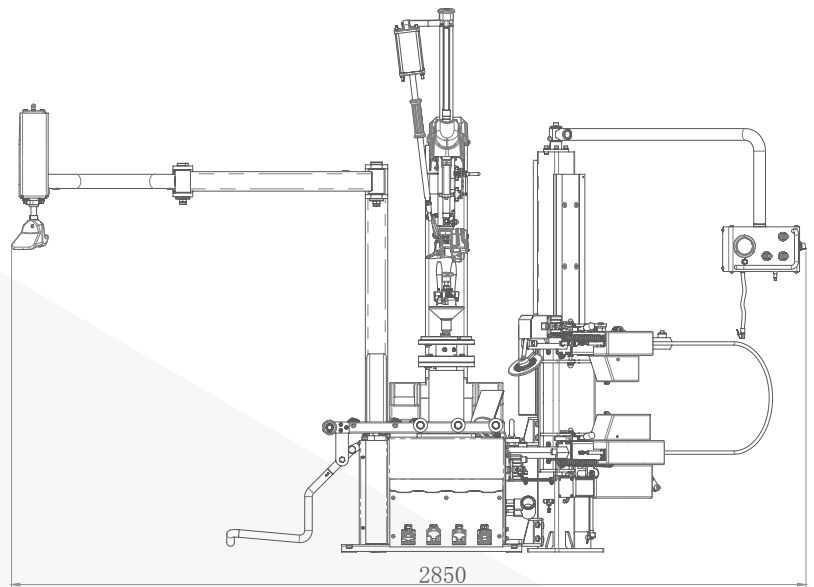
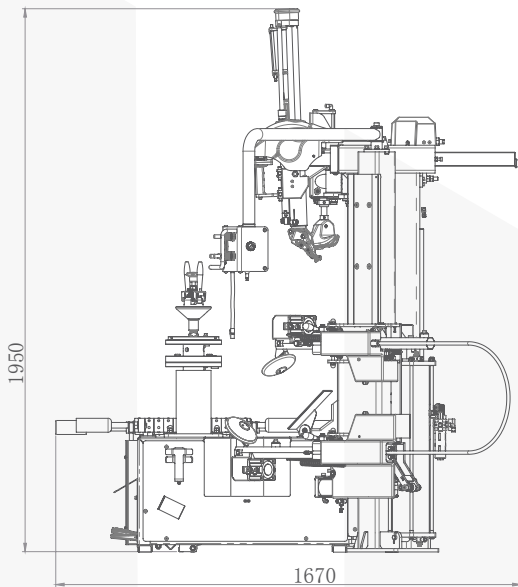
8 - 10 bar



6,5 - 13 rpm

BRIGHT 896 V

Line Drawing



Description

In each era there are some classics. Distinguished machine body, synchronously movable bead breaker device, with classic leverless system which allows it to deal with difficult tire issues with a ease, makes it to be the first option in high-end tire service.

Selling Point

- The New ZD05 leverless system, easy operation.
- ZD05 leverless bar device origins from Italian patented technology ,after many years tested by European market , suitable for each kind of tire mounting and demounting.
- Advanced technology of the bead breaker movable function which can ensure the bead breaker won't damage the bead by misoperation. Patented technology.
- Standardly equipped with wheel lifter, labor-saving and maximum lift force can reach to 80kg.
- Adopted rim centralized positioning which is prevent any damage on the rim, quick and convenient.
- 200x150mm of the square column got more strength to ensure there is no deformation during mounting and demounting.
- The diameter of cylinder in right assist arm is 125mm, it is easy to separate the tyre from the rim and it has better performance in mounting and demounting RSC tyres and run-flat tyres.
- Right assist arm can control movable bead breaker locked synchronously, prevent the machine is damaged by misoperation.
- Optional equipped CVT motor , low noise, high efficiency.

Technical data

Rim range	13" - 30" inch
Rim width	3" - 14" inch
Max wheel diameter	1200 mm
Working pressure	8 - 10 bar
Bead breaking force	1000 kg
Powers supply	110V/220V/380V
Motor Power	0.8kW/1.1kW
Rotation per minute	6.5/13rpm
Noise	< 70dB
Machine dimensions	1670x2850x1960 mm
Packing dimensions	1550x1800x1870 mm
Net weight	510 kg
Gross weight	605 kg
Loading in 40 Ft. container	8 sets



Regular Use

889NV/390H THEY CAN'T? WE CAN!

This machine's intensity can compare with international top brands, leverless system with zero complaint after tested by European market for so many years. It makes demounting Run-Flat tire become an enjoyment.



1100 MM



11" - 24"



13 - 26"



3" - 14"



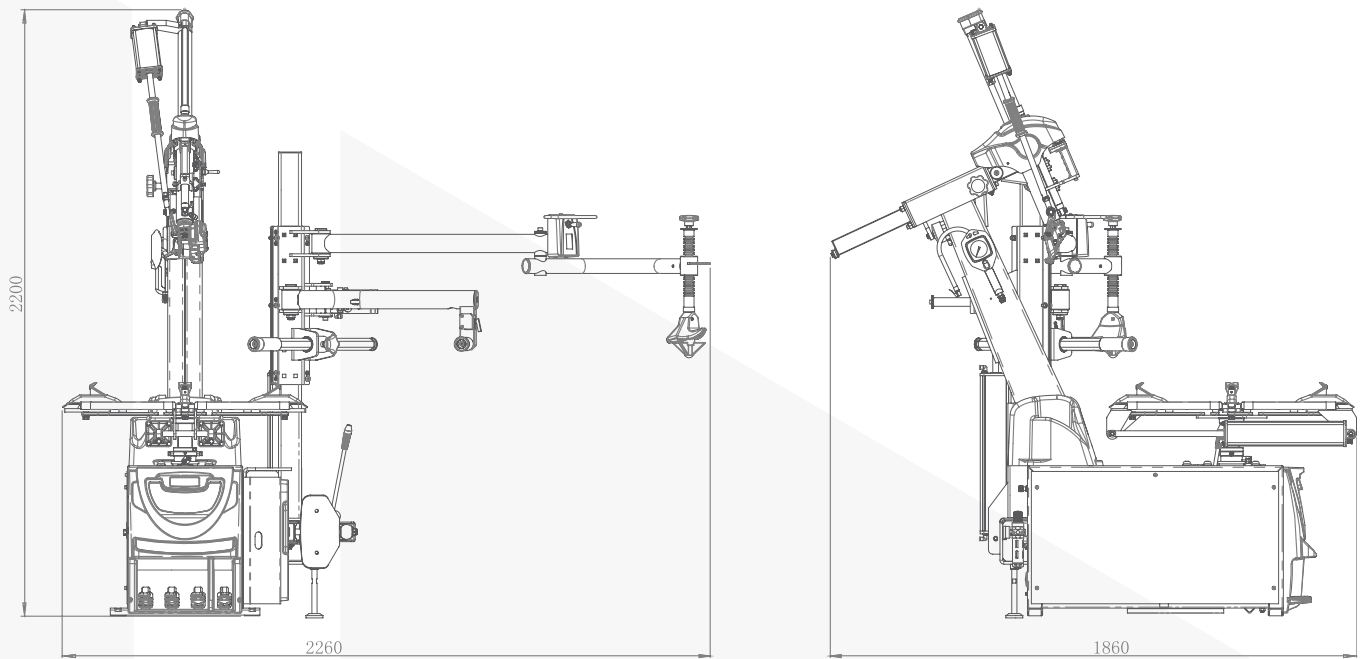
8 - 10 bar



6,5 - 13 rpm

BRIGHT 889 NV/390H

Line Drawing



Description

This machine's intensity can compare with international top brands, materials are CE approved, leverless system with zero complaint after tested by European market for so many years. It makes demounting Run-Flat tire become an enjoyment. Suitable to big and small tyres, once you have it, you can deal with all kinds of tires.

Selling Point

- New ZD05 leverless control, easy operation.
- ZD05 leverless bar device origins from Italian patent technology. Tested by European market for so many years. It is suitable for all kinds of tire mounting and demounting.
- ZD05 leverless system adopted new manual valve for controlling. Hex bar runs stably, feel comfortable.
- Standardly equipped with 200mm cylinder along with variable torque adjustment bead breaker arm which can provide more bead breaker force, suitable for each RSC tyres and run-flat tyres.
- Adopted diameter 55mm horizontal shaft, the lengthened hex bar sleeve makes the machine more robust.
- Double-bending column is made of steel plate with 5mm thickness, which assures high intensity, no deformation, protect tyres and rims safe.
- Lengthened hex bar sleeve extends hex bar torque, no deformation, protect tyres and rims safe.
- Standardly equipped with AL390H assist arm which adopted tire pressing block for the rim centering, easy and convenient operation. Three positions pressing the tyres to ensure high efficiency in mounting and demounting process.
- Optional equipped with tire lifter SR69, labor saving.

Technical data

Outside Clamp	11" - 24" inch
Inside Clamp	13" - 26" inch
Rim width	3" - 14" inch
Max wheel diameter	1100 mm
Working pressure	8 - 10 bar
Bead breaking force	2800 kg
Powers supply	110V/220V/380V
Motor Power	0.75kW/1.1kW
Rotation per minute	6.5/13rpm
Noise	< 70dB
Machine dimensions	1860×2260×2200 mm
Packing dimension	1350×1050×1800 mm
Net weight	285 kg
Gross weight	325 kg
Loading in 40 Ft. container	16 sets

Regular Use

GT895N/330/335 TRANSFORMERS

The third generation of 895, exceeds itself once again. Meeting the higher standards in every aspects to ensure bringing the improvement performances and luxurious experience in mounting and demounting .



1180 MM



15" - 27"



13" - 24"



3" - 15"



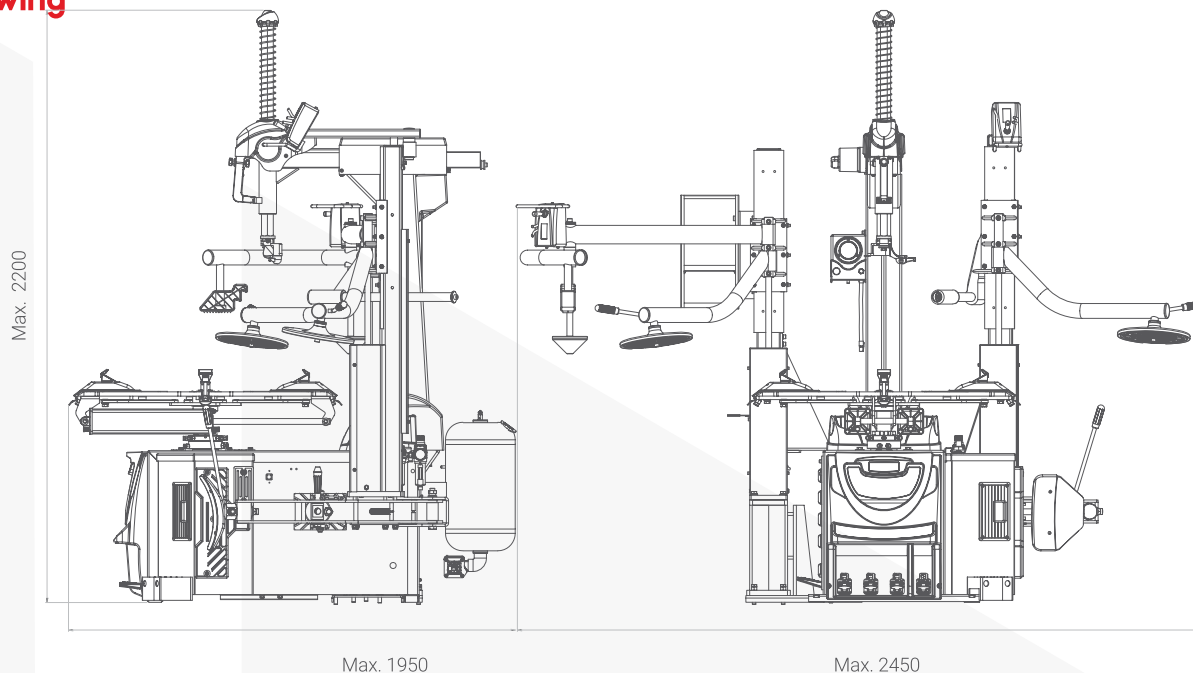
8 - 10 bar



6,5 - 13 rpm

BRIGHT GT895 N /330 /335

Line Drawing



Description

The third generation of 895, exceeds itself once again. Meeting the higher standards in every aspects to ensure bringing the improvement performances and luxurious experience in mounting and demounting .Positive exploring the development of global large-sized tire. Improvement and exceeded again and again, fearless and outstanding. The large box body with the double assist arms show its solid.

Selling Point

- Demounting head is made of special material, lifetime warranty, the 41mm diameter hex bar can deal with all kinds of tyres.
- The shape of bead breaker disc is arc shape, movable back and forth, left and right, so it can better release the bead breaker disc force during working , equipped with protective cover. Two shift of bead breaker arm can be adjusted to fit wider wheels.
- Adopted special parkerising technique cylinder, avoid the cylinder rust , increasing service life.
- The Italian-design pedal assembly has ergonomic structure, sealing performance is stable, appearance updated, unified brand image.
- Standardly equipped with lock air cylinder, to prevent minor movement of the horizontal shaft.
- Double-bending column is made of steel plate with 5mm thickness, high strength.
- Standardly equipped with 80mm diameter small cylinder in working table , the clamping force increases to 58kg . The rim can be held firmly and assure no rim damage due to claw's slippery. Standardly equipped with spacer and scale, which meets the CE requirement and protects the operator.
- Adopted tilted back structure , tilted back and forth are driven and locked by pneumatic control.
- Standardly equipped with two assist arms, it is easy to mount and demount RSC tyres , run-flat tyres and oversized tyres.
- There is blast inflation function, air tank is approved by CE.
- Optional equipped with SR68, it can help to lift tyres and labor-saving.
- Optional equipped with AL320 assist arm.

Technical data

Outside clamping range	13" - 24" inch
Inside clamping range	15" - 27" inch
Rim width	3" - 15" inch
Max wheel diameter	1180 mm
Working pressure	8 - 10 bar
Bead breaking force	2500 kg
Powers supply	110V/220V/380V
Motor Power	0.75kW/1.1kW
Rotation per minute	6.5/13rpm
Noise	< 70dB
Machine dimensions	1950x2450x2200 mm
Packing dimensions	1440x1140x1830 mm
Net weight	500 kg
Gross weight	595 kg
Loading in 40 Ft. container	16 sets

Regular Use

LC 889N OPERATE, AT WILL

Following the tradition of quality being first, the machine's intensity can compare with the international brands. Various of optional accessories create unlimited possibilities for easy and safe tire services.



1100 MM



13" - 26"



11" - 24"



3" - 14"



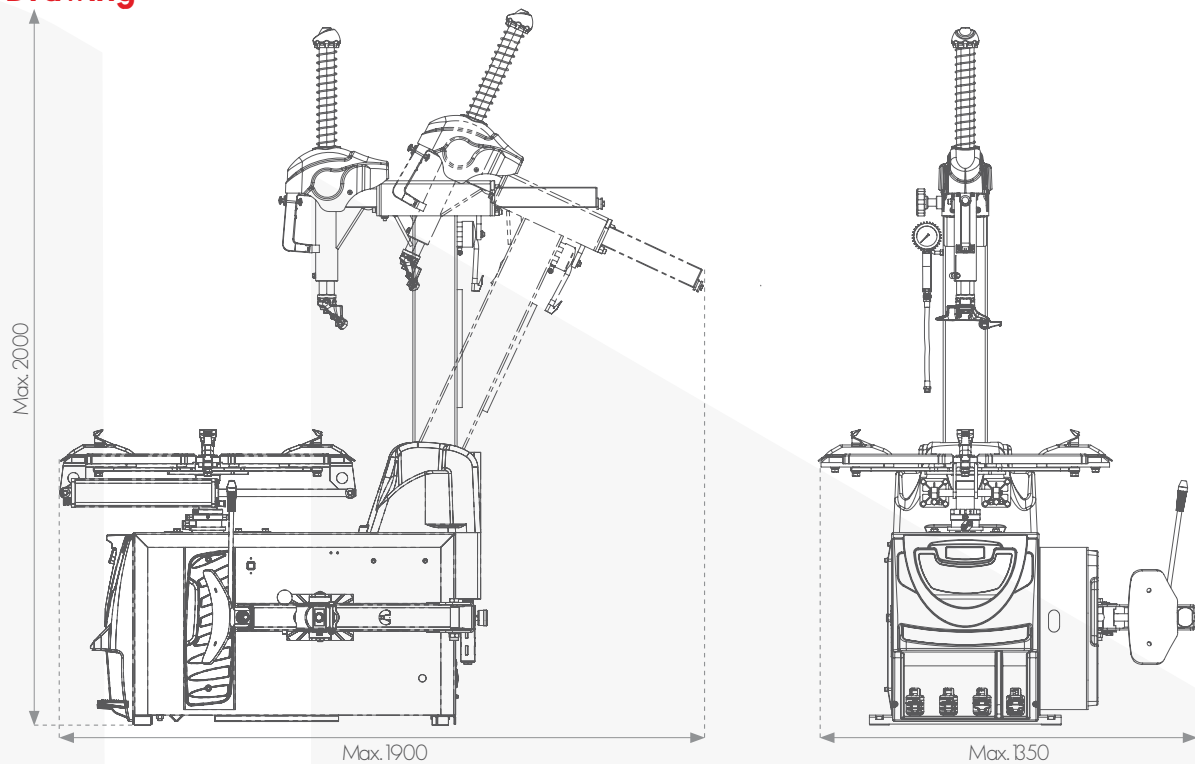
8 - 10 bar



6,5 - 13 rpm

BRIGHT 889 N

Line Drawing



Description

Safety being first is our designing concept! The protection of tire and rim, is not only a modern interpretation of the safe concept, but also much easier and more practical. Redefine the safe pursuit of tire services through modern design.

Selling Point

- Standardly equipped with 80mm diameter small cylinder in working table, the clamping force increases 58kg than the 75mm. The rim can be held firmly and assure no rim damage.
- Standardly equipped with spacer, which meets the CE requirement and protects the operator during mounting and demounting.
- The Italian-design pedal assembly has ergonomic structure, sealing performance is stable, appearance updated, unified brand image.
- Double-bending column is made of steel plate with 5mm thickness, high robustness.
- Adopted special parkerising technique cylinder, avoid the cylinder rust, increasing service life.
- Adopted diameter 55mm horizontal shaft, the lengthened hex bar sleeve makes the machine more intensive.
- Optional equipped with AL390 assist arm which adopted tire pressing block for the rim centering, easy and convenient operate. Enhancing the efficiency in mounting and demounting. Optional equipped tire lifter SR69, labor saving.

Technical data

Outside clamping range	11" - 24" inch
Inside clamping range	13" - 26" inch
Rim width	3" - 14" inch
Max wheel diameter	1100 mm
Working pressure	8 - 10 bar
Bead breaking force	2800 kg
Powers supply	110V/220V/380V
Motor Power	0.75kW/1.1kW
Rotation per minute	6.5/13rpm
Noise	< 70dB
Machine dimensions	1900×1350×2000 mm
Packing dimensions	1350×1100×1780 mm
Net weight	285 kg
Gross weight	325 kg
Loading in 40 Ft. container	48 sets



Regular Use ●●●●● ●●●

885N A SALUTE TO CLASSICS

Appearance designed by the former designer of Lamborghini, larger working size, stronger bead breaking force, perfectly meet the customer requirement, with high proficiency.



1120 MM



12" - 24"



10" - 20"



3" - 13"



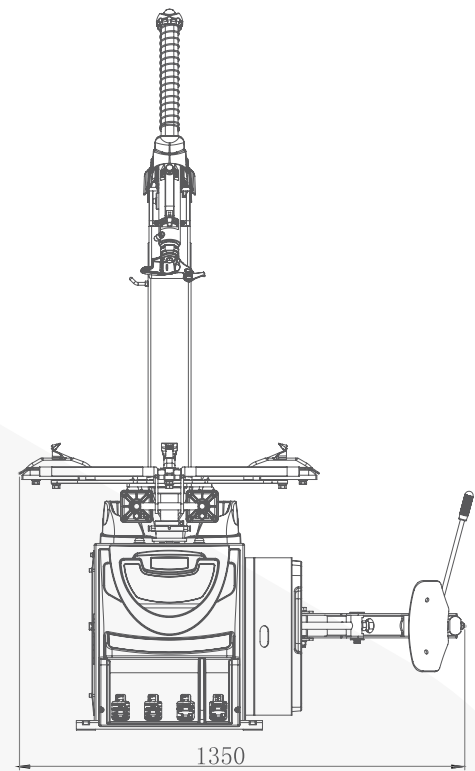
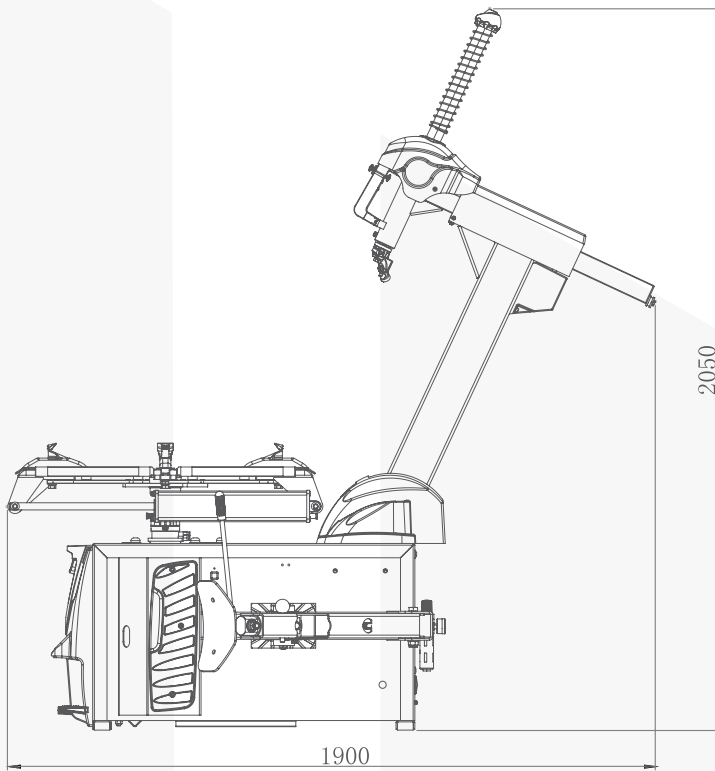
8 - 10 bar



6,5 - 13 rpm

BRIGHT 885 N

Line Drawing



Description

Appearance designed by the former designer of Lamborghini, sold over 5,000 units each year. All these prove the extraordinary of this machine. Larger working size, powerful bead breaking force, further enhancing the product performance.

Selling Point

- Demounting head is made of special material, the 41mm diameter hex bar can deal with all kinds of run flat and low profile tyres' mounting and demounting.
- The Italian-design pedal assembly has ergonomic structure, sealing performance is stable, appearance updated, unified brand image.
- The tyre changer adopted tilt back structure, the column can be tilted back and forth, it is driven and locked by air cylinder.
- Strengthened channel are welded at the front base of column, enhance the overall intensity, suitable to all kinds of tyres' mounting and demounting.
- Optional equipped with AL390 assist arm which adopted tire pressing block for the rim centering, easy and convenient operate. Enhancing the efficiency in mounting and demounting.
- Adopted special parkerising technique cylinder, avoid the cylinder rust, increasing service life.
- Optional equipped with tire lifter SR69, labor saving.

Technical data

Outside clamping range	10" - 20" inch
Inside clamping range	12" - 24" inch
Rim width	3" - 13" inch
Max wheel diameter	1120 mm
Working pressure	8 - 10 bar
Bead breaking force	2800 kg
Powers supply	110V/220V/380V
Motor Power	0.75kW/1.1kW
Rotation per minute	6.5/13rpm
Noise	< 70dB
Machine dimensions	1900×1350×2000 mm
Packing dimensions	1130×910×1010 mm
Net weight	246 kg
Gross weight	285 kg
Loading in 40 Ft. container	52 sets

870L DO IT ALL IN ONE TAKE

Market research place, Ha'er bin of Hei Longjiang, Chang Chun of Ji Lin, Chi Feng of Mongolia. Data and requirements investigated from 148 shops, prototype tested in 20 shops, then we produce 870L . We know that the equipment usages frequency is very high for tire replacement during winter and spring, 870L has better performance to deal with these occasion. Market called it ----Manchurian tiger



1010 MM



12" - 25"



10" - 22"



3" - 14"



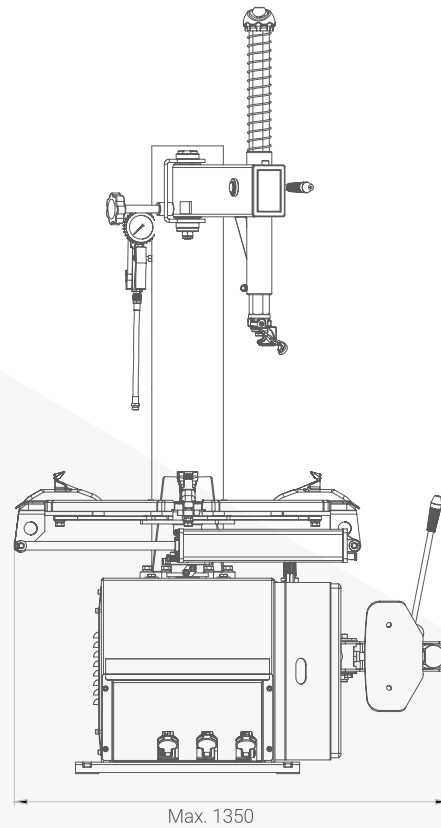
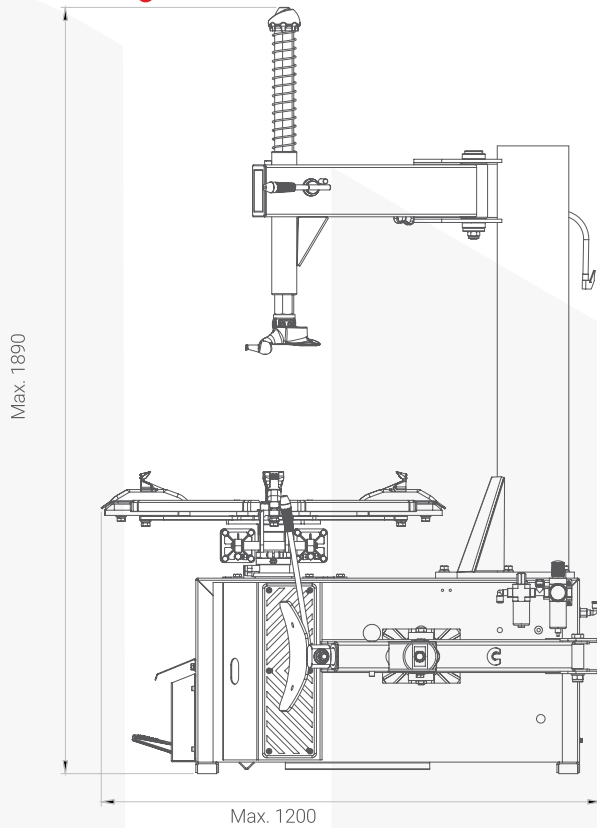
8 - 10 bar



6,5 - 13 rpm

BRIGHT 870 L

Line Drawing



Description

It took three years to do market research, and tested in 20 tire shops, 48 times of checking on site, traveled 50,000 kilometers, then we produced 870L. This machine has extra low working table, make operation easy and comfortable. Reinforced parts make the machine strong. Stability, durability and efficiency are the constant pursuit of this product.

Selling Point

- Ergonomically machine body height.
- The horizontal swing arm is strengthened, extend service life, lifetime warranty.
- Lock handle is strengthened, extend service life, lifetime warranty.
- Modified bead breaking arm, breaking force increased by 30%.
- Strengthened machine body increased overall robustness.
- The silver alloy contactor on 40A switch to ensure it can bear large load, longevity.
- Optimized design of demounting head, greatly release the tire tension during demounting.
- Optional equipped with PL241 upper assist arm, increase mounting and demounting range, labor saving.

Technical data

Outside clamping range	10" - 22" inch
Inside clamping range	12" - 25 inch
Rim width	3" - 14" inch
Max wheel diameter	1010 mm
Working pressure	8 - 10 bar
Bead breaking force	2500 kg
Powers supply	110V/220V/380V
Motor Power	0.85kW
Rotation per minute	6.5rpm
Noise	< 70dB
Machine dimensions	1200×1350×1890 mm
Packing dimensions	1440×1140×1830 mm
Net weight	225 kg
Gross weight	265 kg
Loading in 40 Ft. container	48 sets

890N BEST CHOICE ON RELIABLE

The dominant position in the international market for 10 years, makes the series of 890 enjoy high reputation in this line.



1250 MM



13" - 26"



11" - 24"



3" - 13"



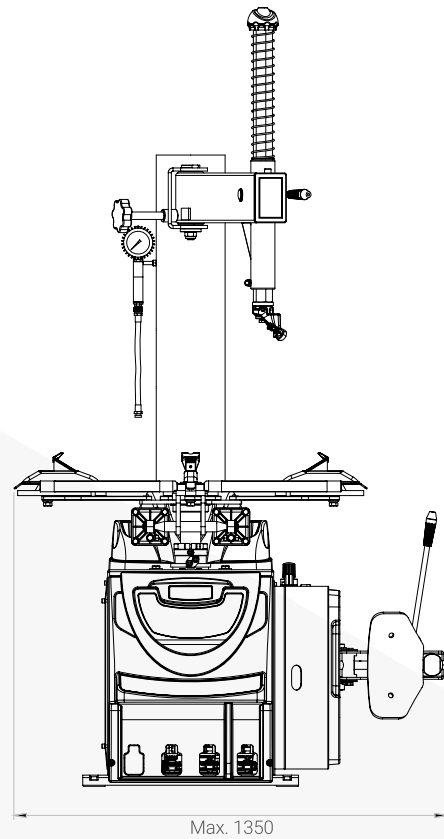
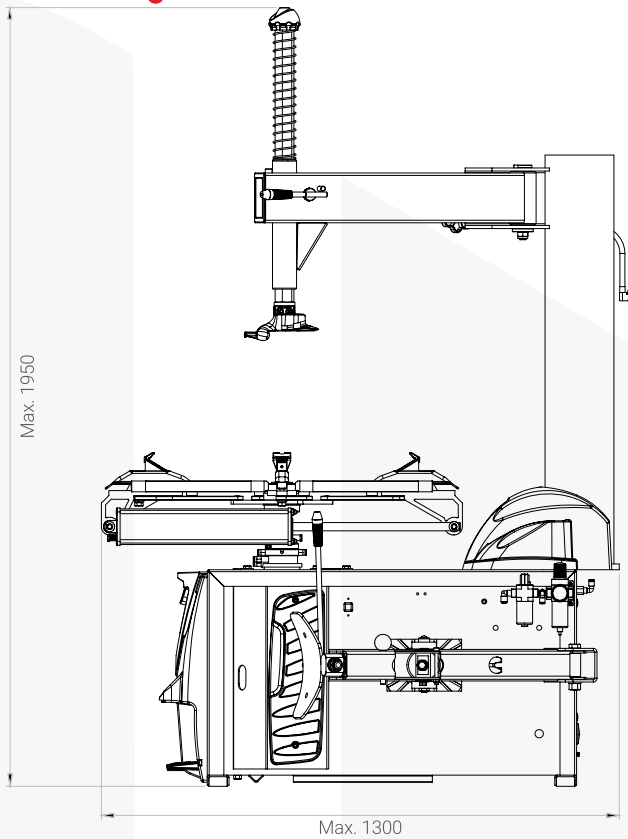
8 - 10 bar



6,5 - 13 rpm

BRIGHT 890 N

Line Drawing



Description

The dominant position in the international market for 10 years, makes the series of 890 enjoy high reputation in this line. According to the demand of Chinese customers, constant tracking the development of rim, and keep studying, the enhanced parts perfectly show its strength. Stability, durability and comfort is the constant pursuit of this product.

Selling Point

- Demounting head is made of special material and lifetime warranty, the 41mm diameter hex bar can deal with all kinds of run flat and low profile tyres.
- The bead breaker arm is upgraded and the force is increased by 30%.
- Adopted special parkerising technique cylinder, avoid the cylinder rust , increasing service life.
- Standardly equipped with 80mm small diameter cylinder in working table , the clamping force increases 58kg than the 75mm. The rim can be held firmly and assure no rim damage due to claw's slippery. There is scale on protective cover to make clamping more easily and increase efficiency , avoid scratch between the rim and the turntable.
- Standardly equipped with spacer , which meets the CE requirement and protects the operator.
- The Italian-design pedal assembly has ergonomic structure, sealing performance is stable, appearance updated, unified brand image.
- Equipped with 240 assist arm, rim can be centralized positioning , two position pressing the tyre.
- Optionally equipped with lifter SR69, labor saving.

Technical data

Outside clamping range	11" - 24" inch
Inside clamping range	13" - 26" inch
Rim width	3" - 13" inch
Max wheel diameter	1250 mm
Working pressure	8 - 10 bar
Bead breaking force	2500 kg
Powers supply	110V/220V/380V
Motor Power	0.85kW
Rotation per minute	6.5rpm
Noise	≤70dB
Machine dimensions	1350×1300×1960 mm
Packing dimensions	1150×920×1050 mm
Net weight	239 kg
Gross weight	269 kg
Loading in 40 Ft. container	48 sets

810 YOU SEE IT EVERYWHERE

As an ordinary tire changer, simple and practical design will make it prevail all over the world, the new valve body enhances the durability of the product.



960 MM



12" - 21"



10" - 18"



3" - 12"



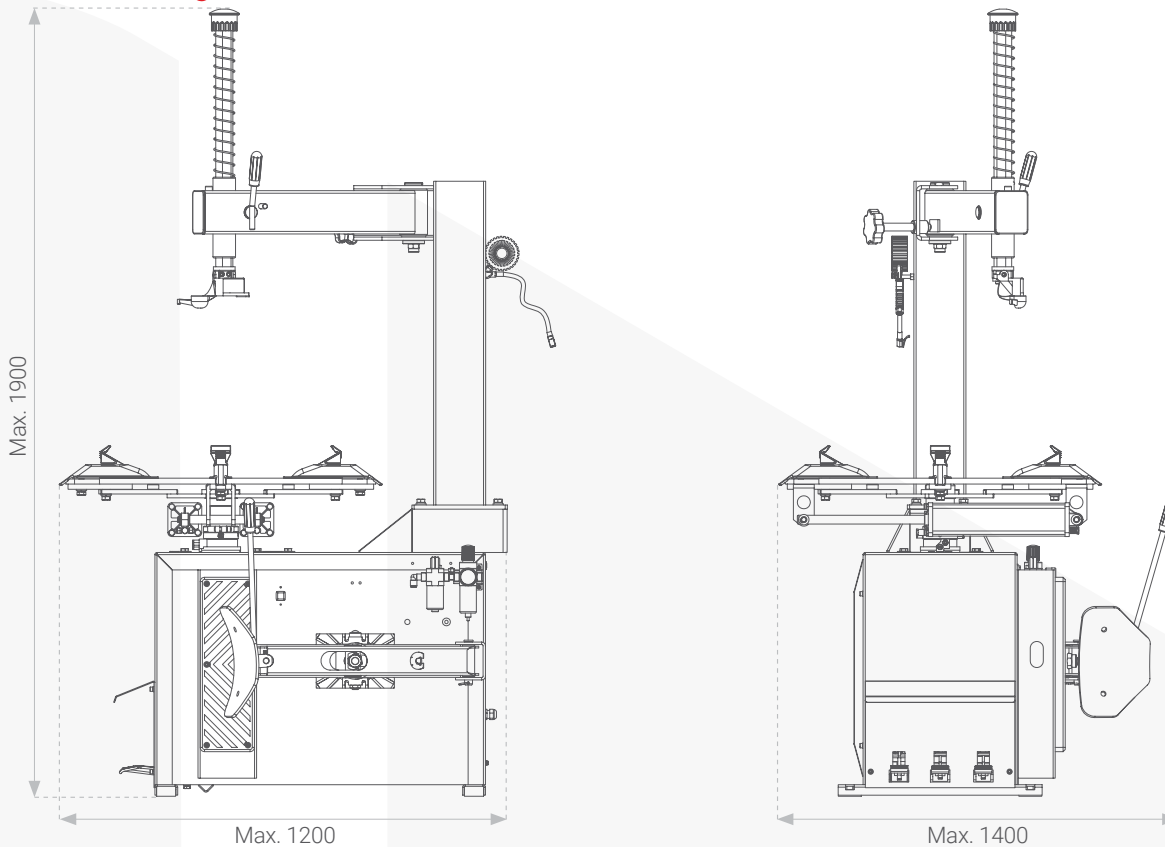
8 - 10 bar



6,5 - 13 rpm

BRIGHT 810

Line Drawing



Description

As an ordinary tire changer, simple and practical design will make it prevail all over the world, the new valve body enhances the durability of the product, focusing on car tyre changer for more than 20 years, every component has been integrated with at least 20 years' exploration. It can be seen to create value for customers in every part of the world. Simple, practical, it can meet all the needs from regular tire service.

Selling Point

- Demounting head is made of special material, with lifetime warranty.
- The parkerising cylinder, tyre pressure can reach to force 2000kg, it is easy to separate RCS tyres and run-flat tyres from the rim, avoid cylinder rust, enhancing the service life.
- The Italian-design pedal assembly has ergonomic structure, sealing performance is stable, appearance updated, unified brand image.
- The claws are made of special material, strong and durable.
- Optional equipped with upper assist arm 230.

Technical data

Outside clamping range	10" - 18" inch
Inside clamping range	12" - 21" inch
Rim width	3" - 12" inch
Max wheel diameter	960 mm
Working pressure	8 - 10 bar
Bead breaking force	2500 kg
Powers supply	110V/220V/380V
Motor Power	0.85kW
Rotation per minute	6.5rpm
Noise	< 70dB
Machine dimensions	1400x1200x1900 mm
Packing dimensions	980x760x950 mm
Net weight	179 kg
Gross weight	207 kg
Loading in 40 Ft. container	72 sets



Regular Use

M806B SOLE MATE OF MOTORCYCLE

Serving for high-emission motorcycle at least 20 years, suitable for motorcycle tires with large-size brake pads.



960 MM



--



6" - 24"



3" - 12"



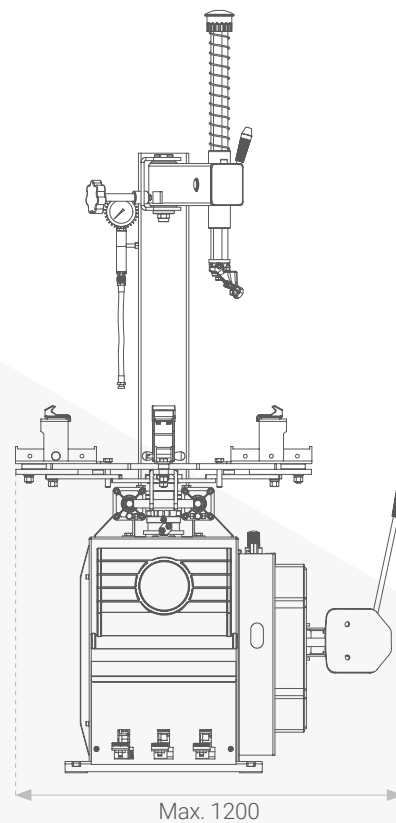
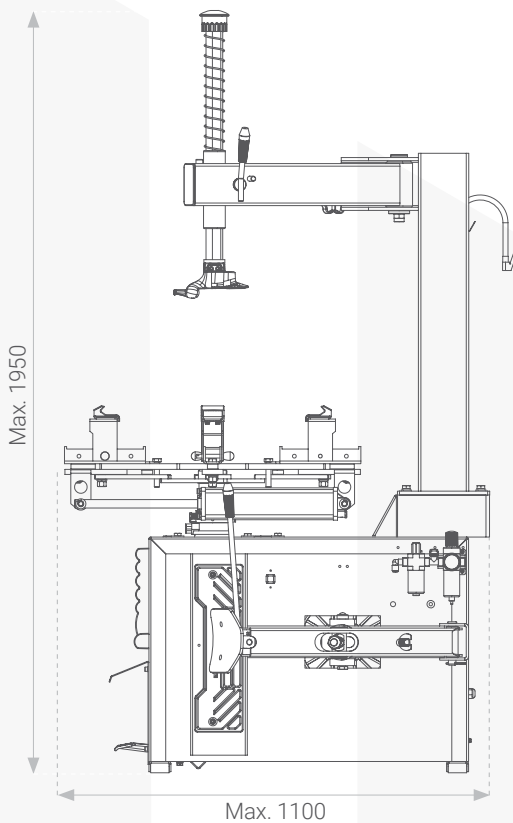
8 - 10 bar



6,5 - 13 rpm

BRIGHT M806 B

Line Drawing



Description

Serving for high-emission motorcycle at least 20 years, It keeps development and innovation. Specialized demount head, special machine body and clamps which suitable for motorcycle tyres with large-size brake pads. Now it has been used in Harley-Davidson shops, DUCATI shops and Honda motorcycle shops.

Selling Point

- Demounting head is made of special material, with lifetime warranty.
- Standardly equipped with small and normal motorcycle demounting heads, which can meet the requirement of scooter tyres and normal Motorcycle tyres.
- The Italian-designed small pedal , the clamp can be stopped at any position so it is convenient to clamp the rim.
- Drawer type pedal assembly is easy to disassemble when it needs to be serviced or repaired.
- The bead breaker system is delicate designed to make operation more reliable. The rubber pad becomes thicker to ensure it is possible to demount motorcycle tyres with brake pads.
- Optional equipped with upper assist arm 230

Technical data

Outside clamping range	6" - 24" inch
Inside clamping range	3" - 12" inch
Max wheel diameter	960 mm
Working pressure	8 - 10 bar
Bead breaking force	2500 kg
Powers supply	110V/220V/380V
Motor Power	0.85kW
Rotation per minute	6.5rpm
Noise	< 70dB
Machine dimensions	1100x1200x1950 mm
Packing dimensions	980x760x950 mm
Net weight	179 kg
Gross weight	212 kg
Loading in 40 Ft. container	72 sets



LC 530 Beyond your imagination

Focus means efficiency. Simplifies the tedious work and makes the work easier. Special design of special fixture, protecting the security of the rim in 360°



1200 MM



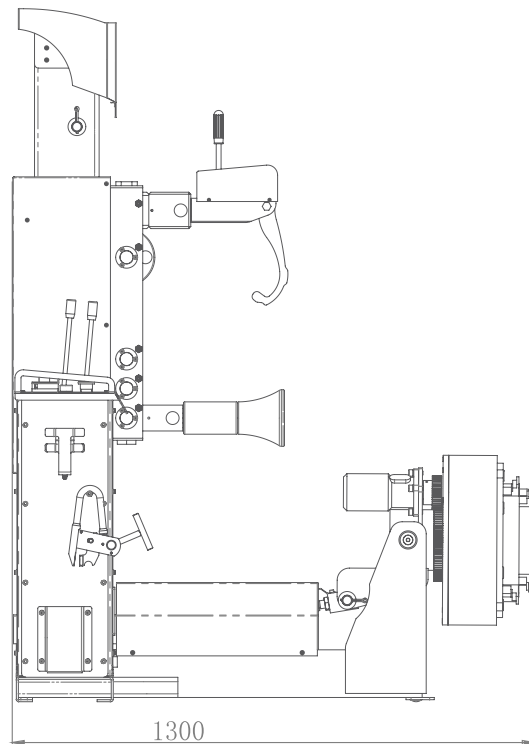
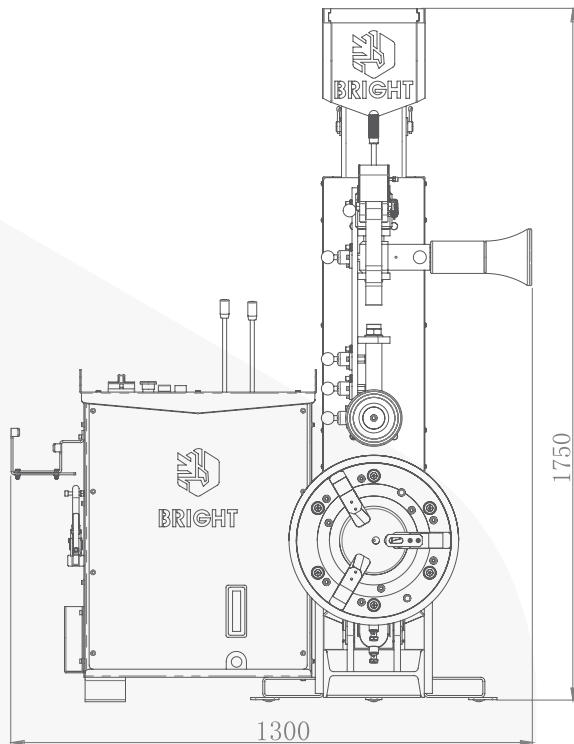
17.5 / 19.5 / 22.5



445 MM

BRIGHT LC530

Line Drawing



Description

A safe, efficient, small, low-cost, high-performance truck tire changer. The special fixture with special configuration is the perfect choice for tire installation factory and wheel factory. Could be used on 80% kinds of the trucks in market, improve more 40% efficiency of the assembly and disassembly, reduce the covering area about 35%-40%, it is the best choice for tire shop.

Selling Point

- The demounting hook is three position adjustable also could be used on 17.5" 19.5" and 22.5" rim
- The press roller is three position adjustable also could be used on 17.5" 19.5" and 22.5" rim
- Shaft could be rotated easier to load and unload the rim
- The lower roller is three position adjustable could be used on various width tires
- Self-centering chuck structure which makes easier to demount and clamp the rim
- Operating boxes can be folded, small size, space-saving.
- Customized, easier and high-efficiency
- lever-less system, no damage to rim
- High strength square tube, will not deform while working

Technical data

Rim diameter	17.5" 19.5" 22.5"
Max wheel width	445 mm
Max wheel diameter	1200 mm
Voltage	380V / 220V

LC590C THE MOST IMPORTANT IN ALL

High horsepower driven source, stronger transmission system, the powerful assistant for the professional tire manufacturer.



2200 MM



14" - 56"



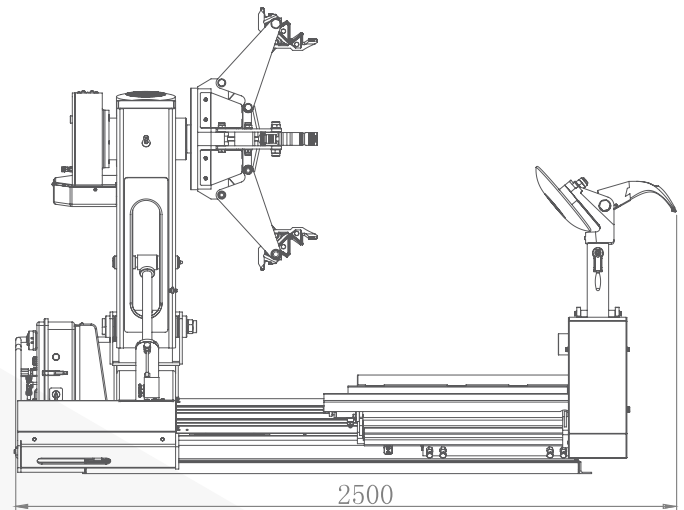
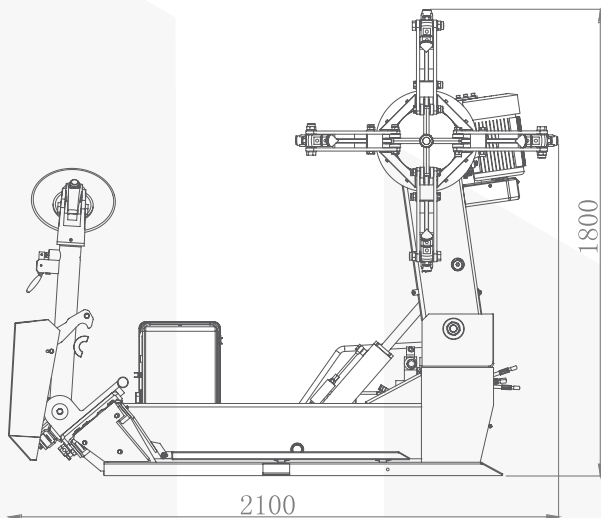
1100 MM



130 - 150 bar

BRIGHT LC590 C

Line Drawing



Description

Enjoy automatic tyre changing process , extra large size, makes the service easy. High horsepower driven source and stronger transmission system, the powerful assistant for the professional tire manufacturer.

Selling Point

- Meet CE requirement, totally safe during operation.
- The lifting arm oil tank is equipped with double safety protection which improves the safety of operation.
- Fully automatic tire changer adopts pneumatic and hydraulic power control system to improve working efficiency, labor saving.
- The hydraulic pump station adopts imported components with stable performance.
- The gearbox is made of aluminum alloy die casting, with light weight, beautiful appearance, high intensity and good sealing performance.
- Movable operating unit can be fully observed during operation to prevent danger from misoperation.
- Dual speed main shaft motor can improve the working efficiency.

Technical data

Rim Diameter	14" - 40" inch
Rim range with extension	40 - 56" inch
Rim width	1100 mm
Max wheel diameter	2200 mm
Hydraulic Power	130 - 150 bar
Hydraulic Station Motor Power	1.5kW 380V/3PH 50HZ
Main Shaft Motor Power	2.4/3.0kW/380V/50HZ/3P
Noise	< 75dB
Packing dimension	2280x2070x1070mm
Net Weight/Gross Weight	987/1252 kg
Loading in 20/40 Ft. container	4/10 sets

LC590D BIGGER AND EASIER

Continue the high-performance feature of 590 series products, a monster heart behind the simple appearance.



2200 MM



14" - 46"



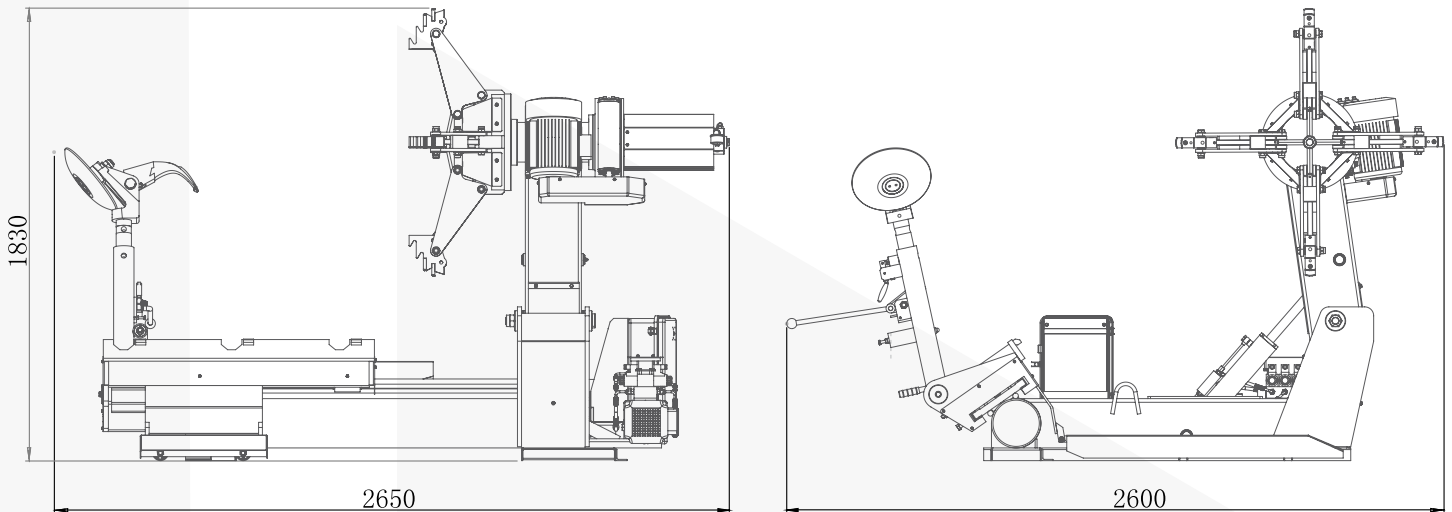
1100 MM



130 - 150 bar

BRIGHT LC590 D

Line Drawing



Description

Simple configuration, firm and durable design, continue the high-performance feature of 590 series, simplified operation mode, increase the interaction between the operator and product, which make the operator clearly feel the pleasant to conquer the monster.

Selling Point

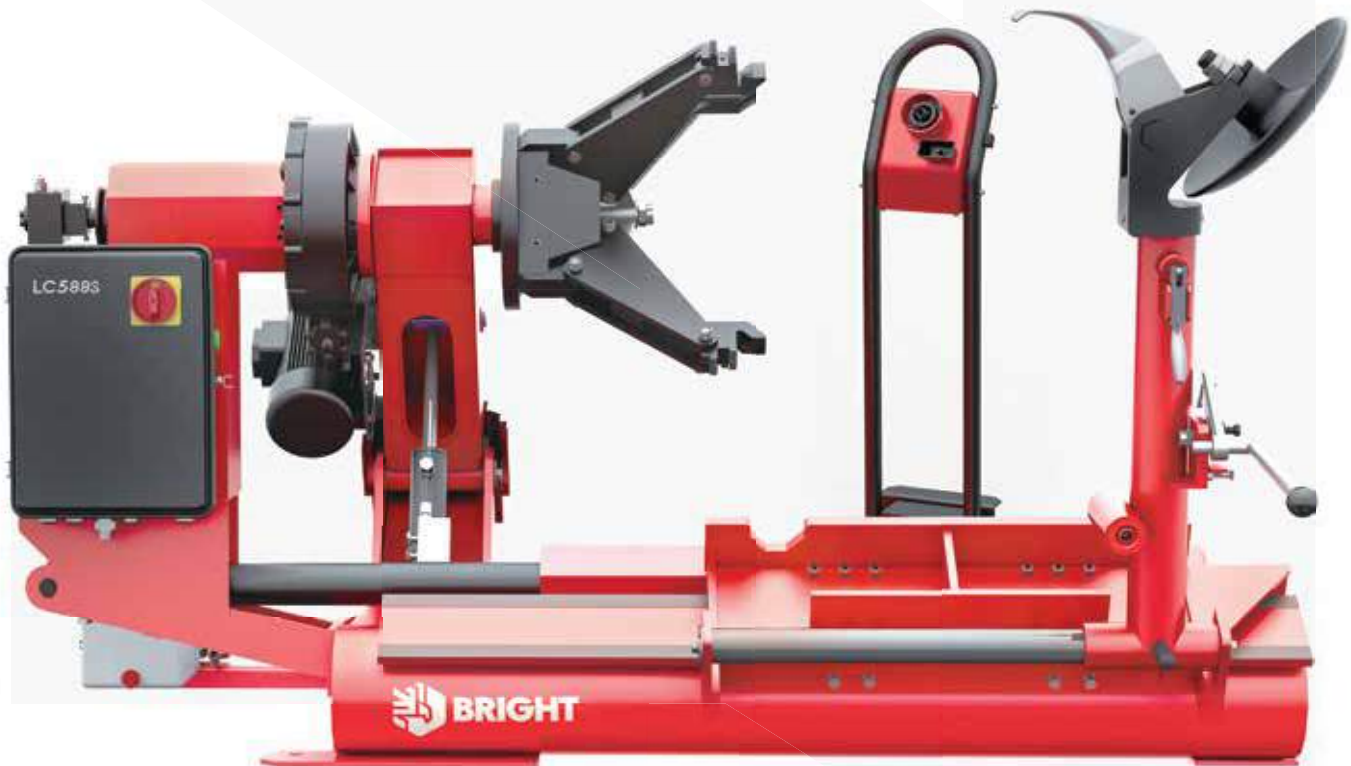
- Adopt hydraulic control system , rim clamping reliable ,moving stable. Hydraulic station adopted imported components, with stable performance
- Meet CE requirement, totally safe during operation.
- The lifting arm oil cylinder is center support, bear averaged pressure.
- Movable operating station can be fully observed during operation to prevent danger by misoperation.
- The gearbox is made of aluminum alloy die casting, with light weight, beautiful appearance, high intensity and good sealing performance.
- The electric cabinet adopted CE level protection standard.
- Lifting arm and the base are made of strengthened and thickened metal, with high intensity.
- Lifting arm cylinder equipped safety protection device to increase the safety of operation.

Technical data

Rim Diameter	14" - 46" inch
Rim range with extension	46" - 56" inch
Rim width	1100 mm
Max wheel diameter	2200 mm
Hydraulic Power	130 - 150 bar
Hydraulic Station Motor Power	1.5KW 380V/ 50HZ/3P
Main Shaft Motor Power	2.4KW 380V/ 50HZ/3P
Noise	< 75dB
Packing dimensions	2280x2070x1070 mm
Net Weight/Gross Weight	891/1152 kg
Loading in 20/40 Ft. container	4/10 sets

LC588S ALL COME FROM SIMPLICITY

Concentrate on truck tire service for 15 years, non-stop improving and updating, Now it becomes professional equipment for truck and bus tires.



1600 MM



14" - 26"



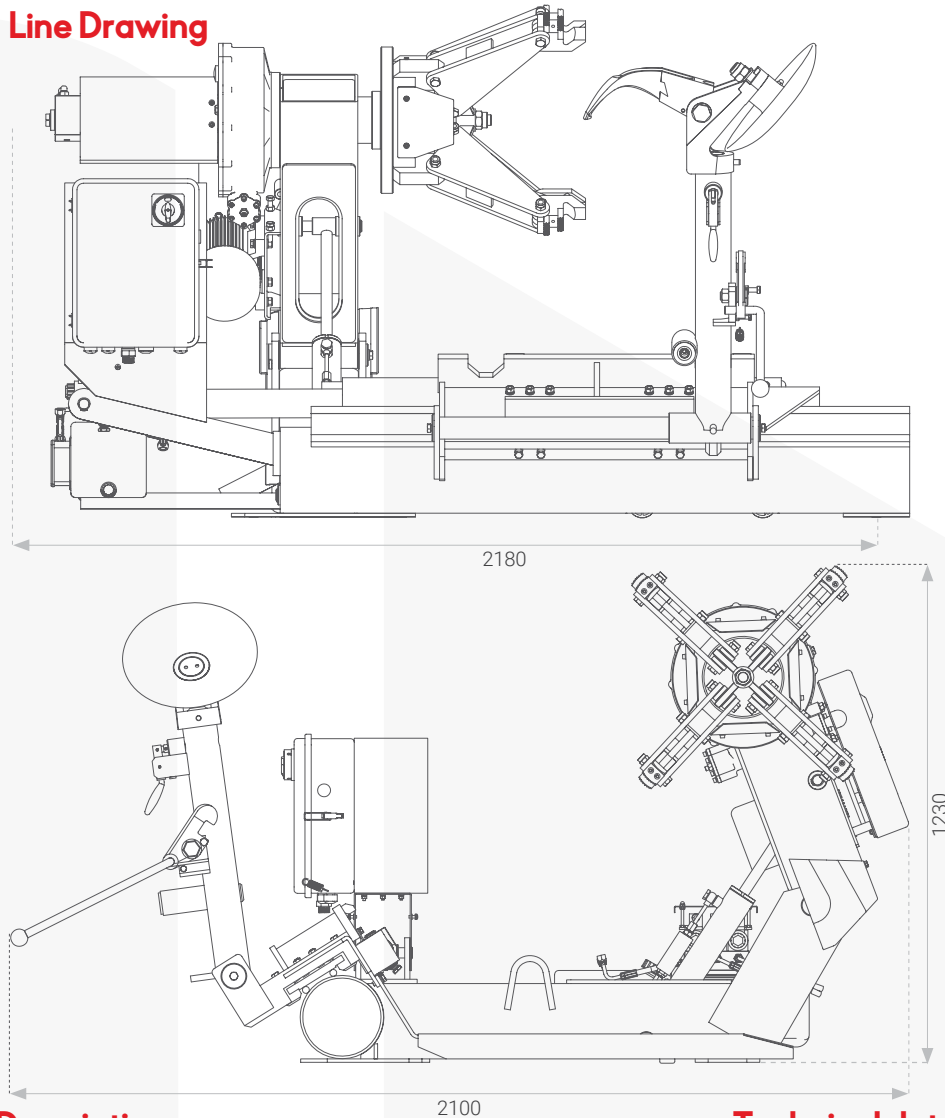
1000 MM



130 - 150 bar

BRIGHT LC588 S

Line Drawing



Description

Concentrate on truck tire service for 15 years, non-stop improving, constantly chasing the development of trucks, take good care of the tire and rim just like a baby.

Selling Point

- Adopted hydraulic control system, reliable rim clamping, move stable. Hydraulic pump station adopted imported components with good stability.
- Meet CE requirement, totally safe during operation.
- Lifting arm cylinder is center supported, bear pressure average.
- Movable operating station can be fully observed during operation to prevent danger by misoperation.
- The gearbox is made of aluminum alloy die casting, with light weight, beautiful appearance, high intensity and good sealing performance.
- The electric cabinet adopted CE level protection standard.
- Lifting arm and the base are made of strengthened and thickened metal, with high intensity.
- Lifting arm cylinder equipped safety protection device to increase the safety of operation.

Technical data

Rim Diameter	14" - 26" inch
Rim width	1000 mm
Max wheel diameter	1600 mm
Hydraulic Power	130 - 150 bar
Hydraulic Station Motor Power	1.5KW 380V/3PH 50HZ
Main Shaft Motor Power	1.8KW 380V/3PH 50HZ
Noise	< 75dB
Packing dimensions	2100x1650x930 mm
Net weight	561kg
Gross weight	739 kg
Loading in 20/40 Ft. container	6/14 sets

Regular Use ●●●●● ●●●●●

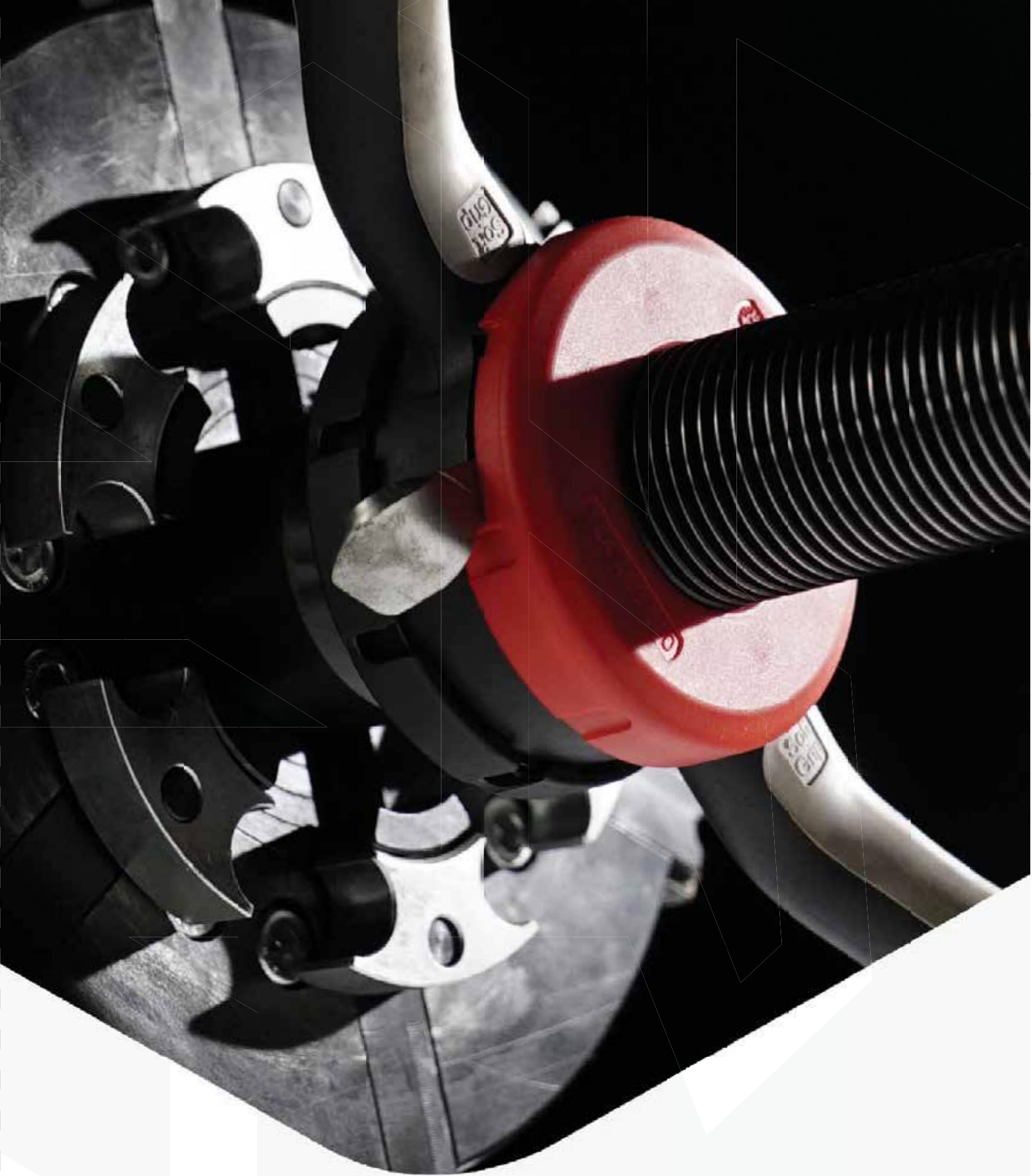


BRIGHT

WHEEL BALANCER SERIES



30th



CB78P ACCURATE, WITHIN REACH

Car wheel balancer with no-contact intelligent sonar function, inverter technology era is coming because of it



1118 MM



1" - 28"



70 kg



1,5" - 20"



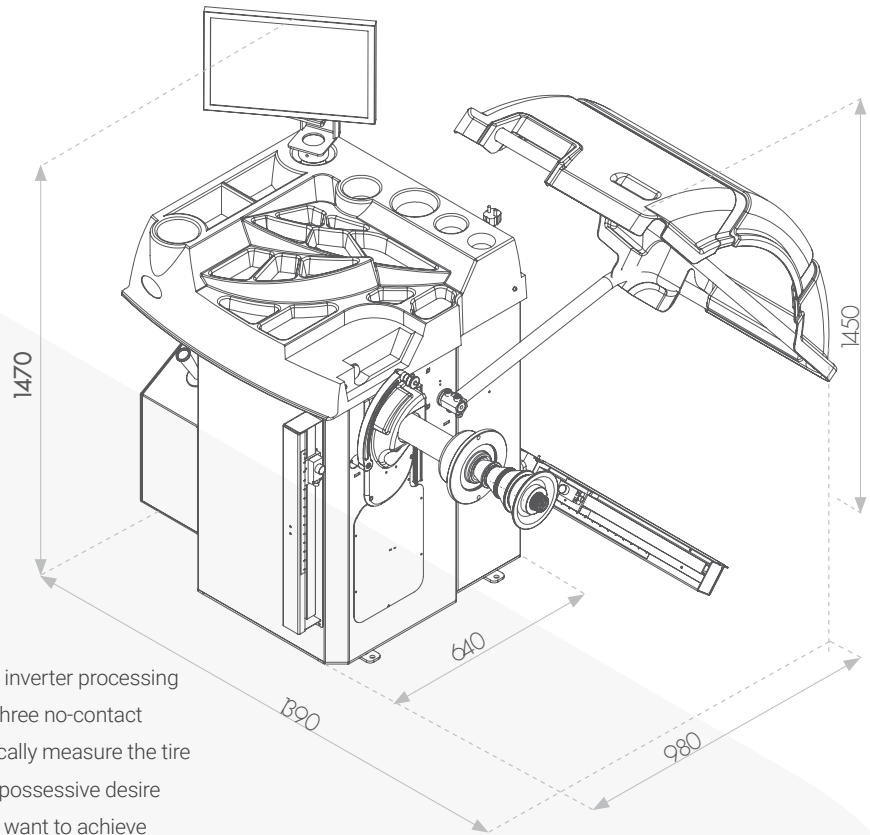
7 sec



Frequency conversion technology

BRIGHT CB78 P

Line Drawing



Description

Advanced technology car wheel balancer CB78P, with inverter processing system, find the imbalance position 100% precisely. Three no-contact sonar to diagnose the tire performance and automatically measure the tire width, ultra-low noise motor, you will never ignore the possessive desire when you first touch the screen, the only purpose you want to achieve is to be the leader in the tire service industry.

Selling Point

- The machine has Italian software
- Automatic acquisition of diameter, distance and width. The machine has 5 ALU balancing programs and 2 ALU smart balancing programs.
- The machine also has optimization function and weight split function.
- The diameter of balancing shaft is 40mm so it can work with standard accessories.
- The machine has motorcycle balancing programs, it can balance various motorcycle wheels.
- The calibration is easy to proceed, the machine can quickly get back its precision.
- The machine uses sonar to measure the wheel width.
- Radial and lateral sonar can detect the surface conditions of the tyre.
- The touch screen monitor is sitting on flexible bracket so the user can operate the machine from different positions.
- The machine is equipped with 19" LCD monitor.
- The machine will go into stand-by when it is not being used for a certain time.
- Variable frequency motor low-level noise, it can locate the wheel on imbalance position accurately.
- LED illuminator for easy and clear operation.
- Intelligent toggle of STD and ALS2 balance modes.
- Six o'clock weight placement mode, with laser indicating line, fast and convenient.

Technical data

Rim diameter	1" - 28" inch
Max wheel weight	70 kg
Max wheel diameter	1118 mm
Rim width	1,5" - 20" inch
Precision	±1g
Motor Power	370W
Power supply	100/230V 1ph
Rotation per minute	140rpm
Balancing time	7s
Second time mounting test	≤5g
Machine dimensions	1390x980x1470 mm
Packing dimension	1150x880x1170 mm
Net weight	154 kg
Gross weight	192 kg
Loading in 40 Ft. container	52 sets

CB76 UNDEFEATED

Striding into LCD liquid crystal era and replacing the dull and tasteless LED era, shows perfectly in the visual, vivid operation experience.



1188 MM



1" - 28"



70 kg



1,5" - 20"



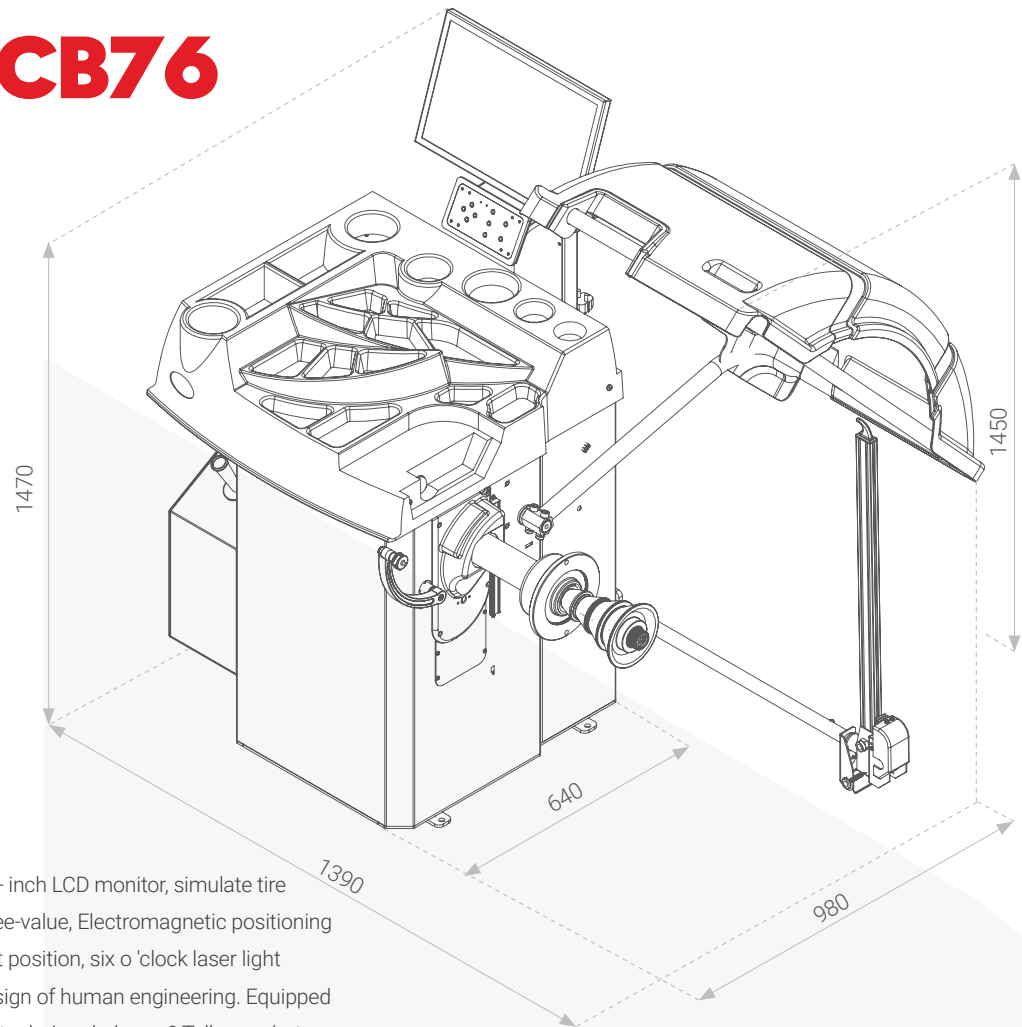
7 sec



140 rpm

BRIGHT CB76

Line Drawing



Description

Generous appearance, large size 19 - inch LCD monitor, simulate tire rotation, Fully automatic input of three-value, Electromagnetic positioning brake, accurate positioning of weight position, six o'clock laser light indicating feature, in line with the design of human engineering. Equipped with illuminating system, can't operate during darkness? Tell you what, nothing is impossible.

Selling Point

- The machine has Italian software, user-friendly.
- Automatic acquisition of diameter, distance and width. The machine has 5 ALU balancing programs and 2 ALU smart balancing programs.
- The machine also has optimization function and weight split function.
- The diameter of balancing shaft is 40mm so it can work with standard accessories.
- The machine has motorcycle balancing programs, it can balance various motorcycle wheels.
- The calibration is easy to proceed, the machine can quickly get back its precision.
- The machines can be optionally equipped with motorcycle adaptor.
- The machine is equipped with 19" LCD monitor.
- The machine will go into stand-by when it is not being used for a certain time.
- The machine can automatically lock the wheel on imbalance position by electromagnetic braking function.
- LED illuminator for easy and clear operation.
- Six o'clock weight placement mode, with laser indicating line, fast and convenient.

Technical data

Rim diameter	1" - 28" inch
Max wheel weight	70 kg
Max wheel diameter	1188 mm
Rim width	1,5" - 20" inch
Precision	±1g
Motor Power	90W
Power supply	100/230V 1ph
Rotation per minute	140rpm
Balancing time	7s
Second time mounting test	≤5g
Machine dimensions	1390x980x1470 mm
Packing dimension	1150x880x1170 mm
Net weight	149 kg
Gross weight	187 kg
Loading in 40 Ft. container	52 sets



CB75 NEVER BEEN SO ACCURATE

Challenge the extreme precision, satisfy the balancing request for all the tires with different sizes.



1188 MM



1" - 28"



70 kg



1,5" - 20"



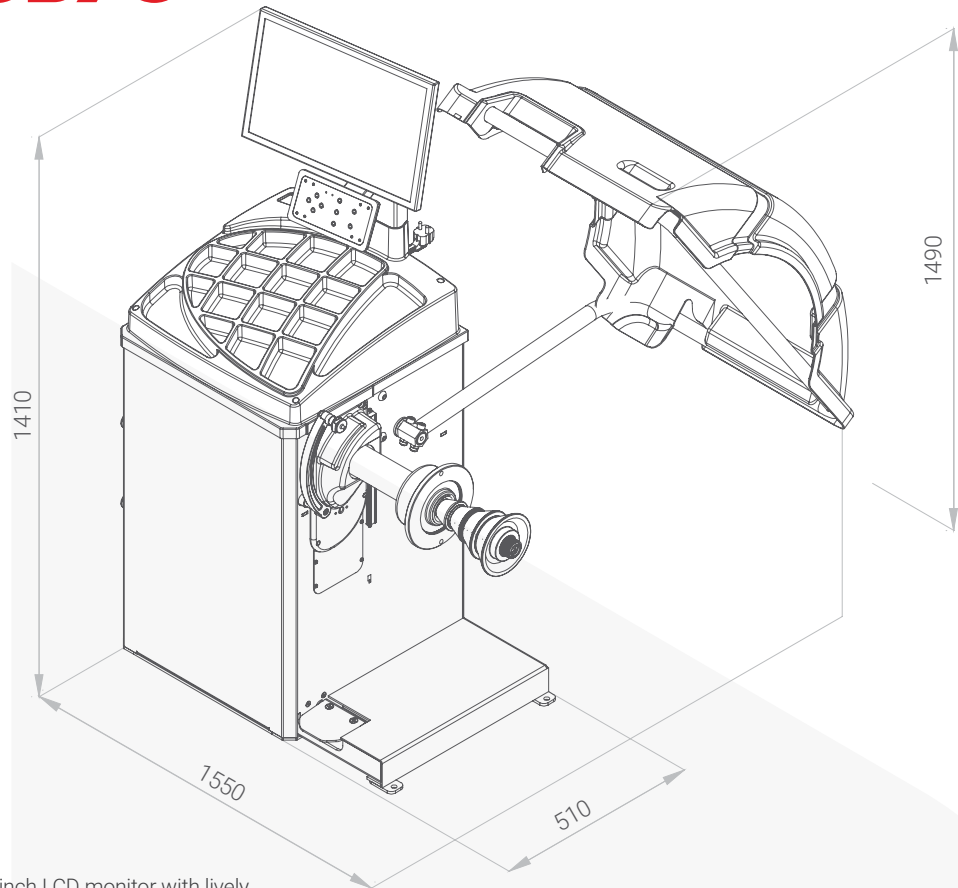
7 sec



140 rpm

BRIGHT CB75

Line Drawing



Description

Small body with huge function, large 19 inch LCD monitor with lively image, two values automatically input, pedal break function which ensure the position more accurate. Laser light indicates at six o'clock position to stick the weight, conform to ergonomics. Classics comes from discovery.

Selling Point

- The machine has Italian software, user-friendly.
- Automatic acquisition of diameter, distance and width. The machine has 5 ALU balancing programs and 2 ALU smart balancing programs.
- The machine also has optimization function and weight split function.
- The diameter of balancing shaft is 40mm so it can work with standard accessories.
- The machine has motorcycle balancing programs, it can balance various motorcycle wheels.
- The calibration is easy to proceed, the machine can quickly get back its precision.
- The machines can be optionally equipped with motorcycle adaptor.
- The machine is equipped with 19" LCD monitor.
- The machine will go into stand-by when it is not being used for a certain time.
- LED illuminator for easy and clear operation.
- Six o'clock weight placement mode, with laser indicating line, fast and convenient.

Technical data

Rim diameter	1" - 28" inch
Max wheel weight	70 kg
Max wheel diameter	1188 mm
Rim width	1,5" - 20" inch
Precision	±1g
Motor Power	90W
Power supply	100/230V 1ph
Rotation per minute	140rpm
Balancing time	7s
Second time mounting test	≤5g
Packing dimension	990x760x1145 mm
Net weight	130 kg
Gross weight	168 kg
Loading in 40 Ft. container	72 sets

Regular Use ●●●●●●●●●●

CB68 ITALIAN TECHNOLOGY PRECISION IS SO EASY

The global core technology CB68 car tire balance machine, 100 percent designed by the Italian team, takes three years to develop with the essence of today's technology, and it pushes the tire balance machine to the peak of the era again.



1118 MM



1" - 28"



70 kg



1,5" - 20"



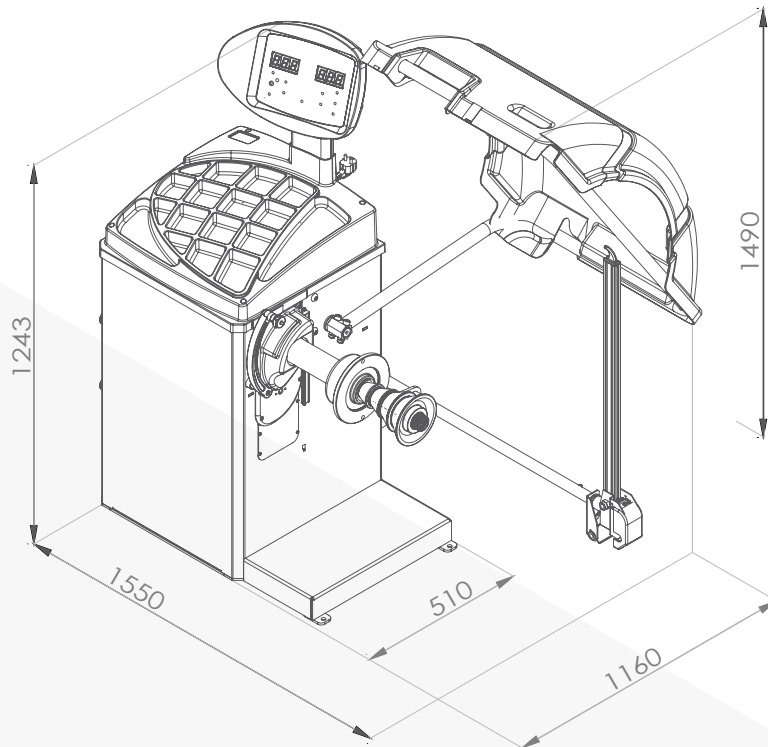
7 sec



140 rpm

BRIGHT CB68

Line Drawing



Description

Extra-high cost performance takes the heart of customers, fully intelligent operation experience to meet the growing demand of the customers, and the three-value tire parameters are fully automatic input. Intelligently switch "STD" and "ALS2" do not require manual selection of balance mode, Electromagnetic positioning brake, accurate positioning of weight position, 6 o'clock laser light indicating feature, in line with the design of human engineering, to improve work efficiency.

Selling Point

- The machine has Italian software, user-friendly.
- Automatic acquisition of diameter, distance. The machine has 5 ALU balancing programs and 2 ALU smart balancing programs.
- The machine also has optimization function and weight split function.
- The diameter of balancing shaft is 40mm so it can work with standard accessories.
- The machine has motorcycle balancing programs, it can balance various motorcycle wheels.
- The machines can be optionally equipped with motorcycle adaptor.
- LED illuminator for easy and clear operation.
- The calibration is easy to proceed, the machine can quickly get back its precision.
- LED display
- The machine can automatically lock the wheel on imbalance position by electromagnetic braking function.
- Intelligent toggle of STD and ALS2 balance modes.
- Six o'clock weight placement mode, with laser indicating line, fast and convenient.

Technical data

Rim diameter	1" - 28" inch
Max wheel weight	70 kg
Max wheel diameter	1118 mm
Rim width	1,5" - 20" inch
Precision	±1g
Motor Power	90W
Power supply	100/230V 1ph
Rotation per minute	140rpm
Balancing time	7s
Second time mounting test	≤5g
Machine dimensions	1550x1160x1243 mm
Packing dimension	1070x760x1145 mm
Net weight	132 kg
Gross weight	170kg
Loading in 40 Ft. container	66 sets

Regular Use 

CB67 GORGEOUS AND INTELLIGENT

Switch balance modes intelligently, once you use, you are the expert. Just believe in you, we will make it happen.



1118 MM



1" - 28"



70 kg



1,5" - 20"



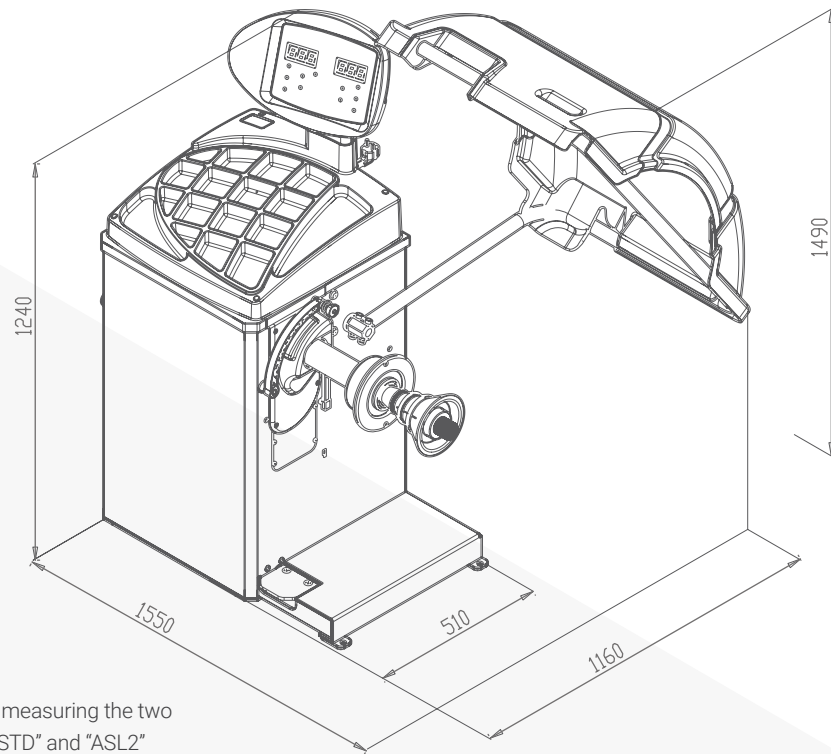
7 sec



140 rpm

BRIGHT CB67

Line Drawing



Description

Inheriting the streamlined appearance of CB68, measuring the two value tire parameters automatically, switching "STD" and "ASL2" balance modes intelligently without any manual operation to choose the model of balance, pedal brake to make sure the higher accuracy of positioning, equipped with lighting system, cannot operate during darkness? Tell you what, nothing is impossible.

Selling Point

- The machine has Italian software, user-friendly.
- Automatic acquisition of diameter, distance. The machine has 5 ALU balancing programs and 2 ALU smart balancing programs.
- The machine also has optimization function and weight split function.
- The diameter of balancing shaft is 40mm so it can work with standard accessories.
- The machine has motorcycle balancing programs, it can balance various motorcycle wheels.
- The machines can be optionally equipped with motorcycle adaptor.
- LED illuminator for easy and clear operation.
- The calibration is easy to proceed, the machine can quickly get back its precision.
- LED display
- The machine has manual pedal brake to help user when applying the weight on the wheel.
- The machine will go into stand-by when it is not being used for a certain time.
- Intelligent toggle of STD and ALS2 balance modes.(SMART ARM)

Technical data

Rim diameter	1" - 28" inch
Max wheel weight	70 kg
Max wheel diameter	1118 mm
Rim width	1,5" - 20" inch
Precision	±1g
Motor Power	90W
Power supply	100/230V 1ph
Rotation per minute	140rpm
Balancing time	7s
Second time mounting test	≤5g
Machine dimensions	1550x1160x1240 mm
Packing dimension	990x760x1150 mm
Net weight	128 kg
Gross weight	166 kg
Loading in 40 Ft. container	72 sets

CB66 ALWAYS FOLLOW THE HEART

Remain the original history of balance, demonstrate the strength of high precision in modern times.



1118 MM



1" - 28"



70 kg



1,5" - 20"



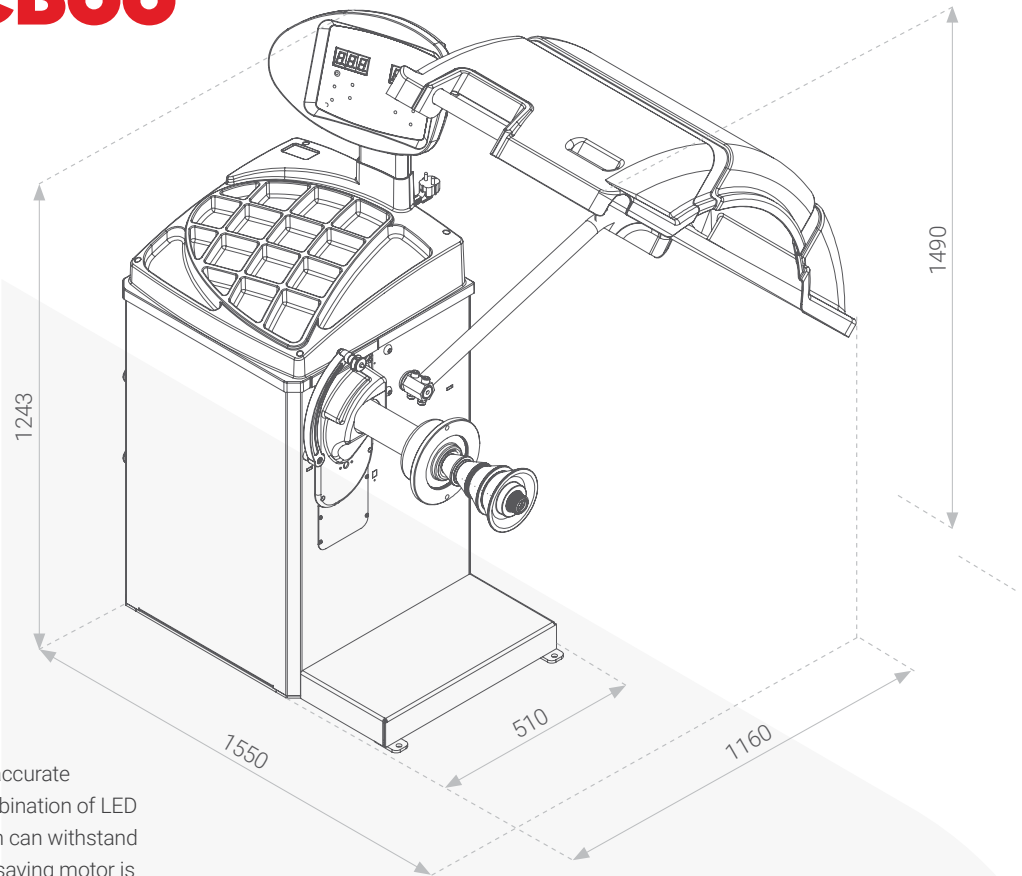
7 sec



140 rpm

BRIGHT CB66

Line Drawing



Description

Italy's latest operating system software, accurate resolution could be 1.4 °, the perfect combination of LED high digital tube and the light touch which can withstand 200,000 times, Lower power and energy-saving motor is just 90w, greatly reducing the cost.

Selling Point

- The machine has Italian software, user-friendly.
- Manual acquisition of diameter, distance and width. The machine has 5 ALU balancing programs and 2 ALU smart balancing programs.
- The machine also has optimization function and weight split function.
- The diameter of balancing shaft is 40mm so it can work with standard accessories.
- The machines can be optionally equipped with motorcycle adaptor.
- The calibration is easy to proceed, the machine can quickly get back its precision.
- LED display
- The machine will go into stand-by when it is not being used for a certain time.

Technical data

Rim diameter	1" - 28" inch
Max wheel weight	70 kg
Max wheel diameter	1118 mm
Rim width	1,5" - 20" inch
Precision	±1g
Motor Power	90W
Power supply	100/230V 1ph
Rotation per minute	140rpm
Balancing time	7s
Second time mounting test	≤5g
Machine dimensions	1550x1160x1243 mm
Packing dimension	990x760x1150 mm
Net weight	126 kg
Gross weight	164 kg
Loading in 40 Ft. container	72sets



CB953LB WHERE IS IT? JUST EVERYWHERE

The reflection of cost effective is not just in the performance of products, but also in the hardware. Wheel balancer, CB953L has a wider rear space even to 300mm, suitable for wider wheels.



1118MM



10" - 24"



70 kg



1,5" - 20"



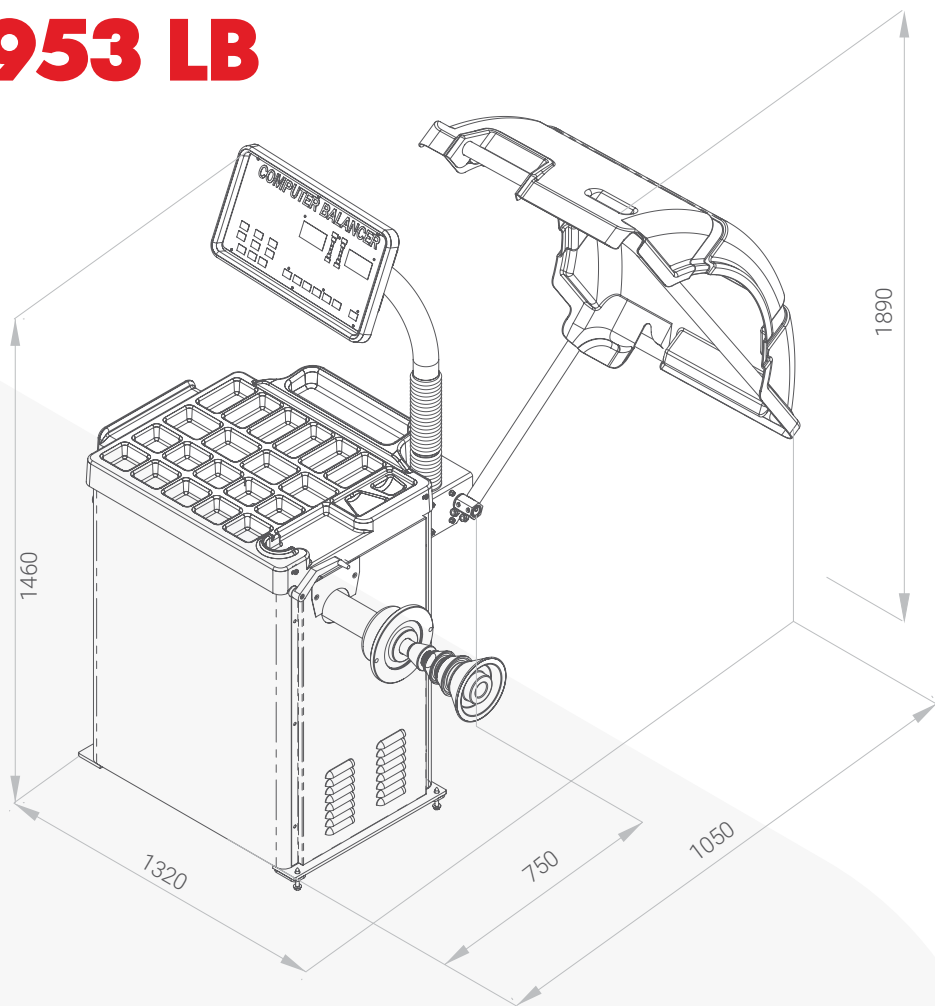
10 sec



200 rpm

BRIGHT CB953 LB

Line Drawing



Selling Point

- The balancer has independent intellectual property rights.
- The balancer has DYN/STA and different ALU balancing programs, this balancer also has motorcycle balancing program.
- The machine allows user to customize settings, for example, switch on/off protective cover, display accurate imbalance, etc.
- Customer can input distance/diameter/width by clockwise/anti-clockwise wheel rotation.
- The calibration is easy to proceed, the machine can quickly get back its precision.
- The machines can be optionally equipped with motorcycle adaptor.
- The machine is standardly equipped with extended longer balancing shaft and 40mm diameter threaded shaft, TOYOTA PRADO cone and IVECO spacer flange.
- The protection cover can be optional; with protection cover ON/OFF control function.
- The extended and longer balancing shaft is suitable for wider wheels.

Technical data

Rim diameter	10" - 24" inch
Max wheel weight	70 kg
Max wheel diameter	1118mm
Rim width	1,5" - 20" inch
Precision	±1g
Motor Power	0.25kW
Power supply	100/230V 1ph
Rotation per minute	200rpm
Balancing time	10s
Second time mounting test	≤5g
Machine dimensions	1320x1050x1460 mm
Packing dimension	970x710x1160 mm
Net weight	118 kg
Gross weight	147 kg
Loading in 40 Ft. container	68 sets



Regular Use ● ● ● ● ●



CB910GB QUALITY? LIVE AND LONG

The CB910G, the best wheel balancer that sells continuously for 18 years without any quality complaints. Its unique high quality and strong data stability did gain strong and good reputation from end users all over the world.



1118 MM



10" - 24"



65 kg



1,5" - 20"



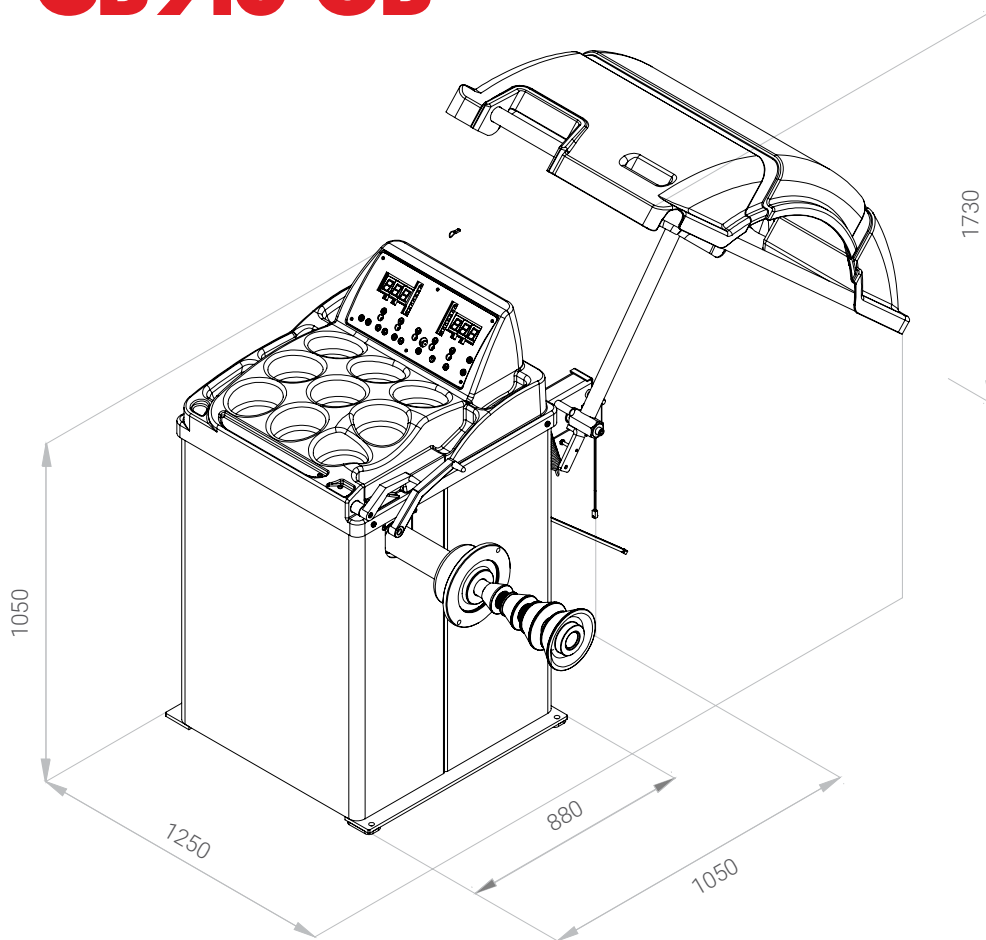
10 sec



200 rpm

BRIGHT CB910 GB

Line Drawing



Selling Point

- The balancer has independent intellectual property rights.
- The balancer has DYN/STA and different ALU balancing programs, this balancer also has motorcycle balancing program.
- The machine allows user to customize settings, for example, switch on/off protective cover, display accurate imbalance, etc.
- Customer can input distance/diameter/width by clockwise/anti-clockwise wheel rotation.
- The calibration is easy to proceed, the machine can quickly get back its precision.
- The machines can be optionally equipped with motorcycle adaptor.
- High quality weight tray cover can be used for a long period of time.
- The IMD display panel is resistant to scratch and erosion, it has long service time. The buttons will not be broken in 500,000 times. The panel will not get peeled or bulged.

Technical data

Rim diameter	10" - 24" inch
Max wheel weight	65 kg
Max wheel diameter	1118mm
Rim width	1,5" - 20" inch
Precision	±1g
Motor Power	0.25kW
Power supply	100/230V 1ph
Rotation per minute	200rpm
Balancing time	10s
Second time mounting test	≤5g
Machine dimensions	1250x1050x1050 mm
Packing dimension	930x710x1160 mm
Net weight	107 kg
Gross weight	137 kg
Loading in 40 Ft. container	68 sets



Regular Use ● ● ● ●

CB63 SPIN OUT OF THE SKY

With Italian software developed by Bright Italian technical R&D center, which make the balancing data more accurate on the basis of the hand spin. Optional equipped with Bright motorcycle adaptor, can easily balance every motorcycle tire. Mainly supply to the motorcycle club and motorcycle manufacturer. Make it more stable when the motorcycle speed up.



800 MM



1" - 25"



50 kg



200 mm



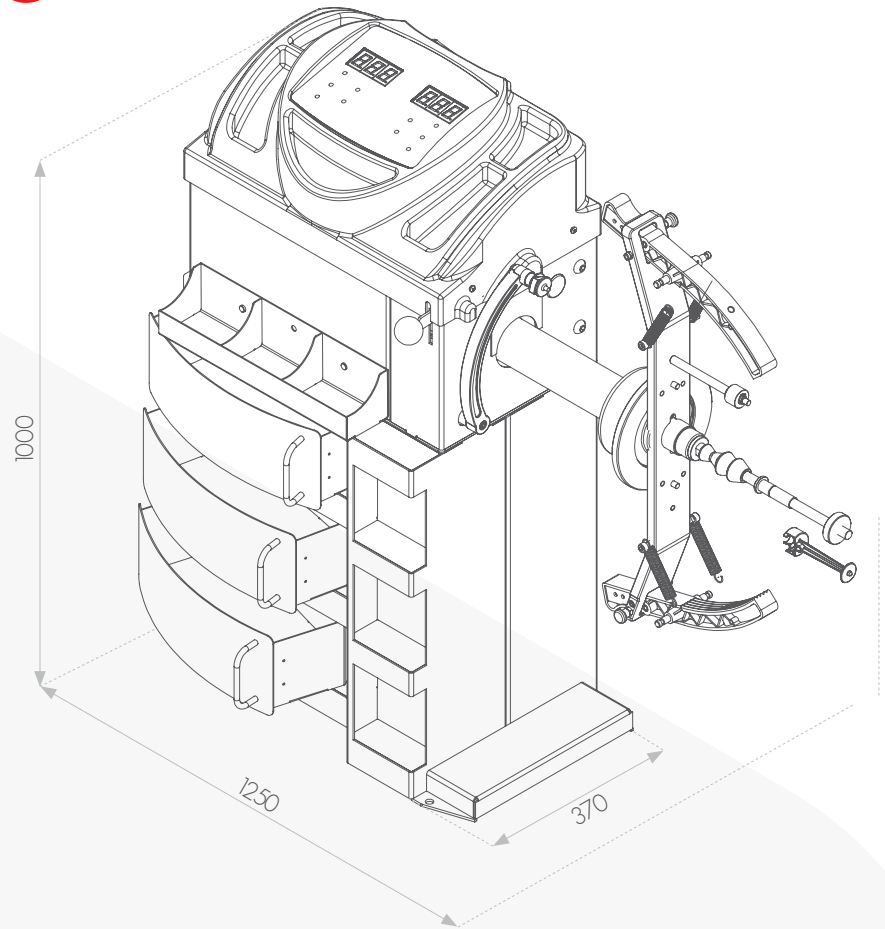
10 sec



200 rpm

BRIGHT CB63

Line Drawing



Selling Point

- Manually-operated wheel balancer for passenger car and motorcycle wheels, there is no motor inside, environmentally-friendly.
- The wheel balancer is compact, space-saving and exquisite.
- This wheel balancer can also balance motorcycle wheels and it can work with various kinds of motorcycle wheels.
- The color of the machine can be changed by customers to suit their taste and need.
- Easy operation, accurate balancing, protect the safety of users.

Technical data

Rim diameter	1" - 25" inch
Max wheel weight	50 kg
Max wheel diameter	800mm
Rim width	Max 200mm
Precision	±1g
Motor Power	0.25kW
Power supply	100/230V 1ph
Rotation per minute	200rpm
Balancing time	10s
Second time mounting test	≤5g
Machine dimensions	1250x370x1000 mm
Packing dimension	1150x700x1160 mm
Net weight	107.5kg
Gross weight	127.5 kg
Loading in 40 Ft. container	110 sets



Regular Use 



CB46 INVERTER TECHNOLOGY AS WELL AS BRIGHT EAGLE EYES SOLUTION

The first manufacturer to make inverter technology into wheel balancer, meets all the size requirement of the existing tire, hold it ,and hold the world.



1200 MM



1" - 28"



200 kg



2" - 20"



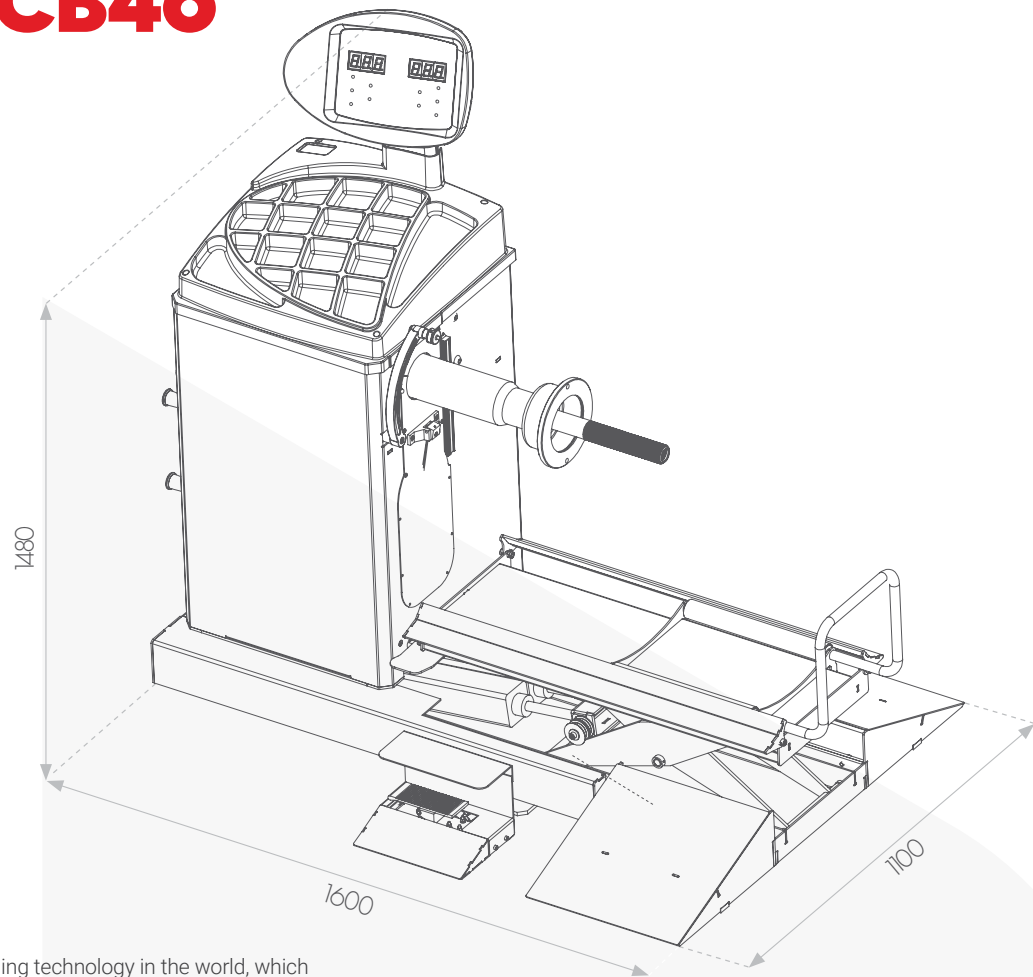
car 9 sec
truck 20 sec



Frequency
conversion

BRIGHT CB46

Line Drawing



Description

Wheel balancer, CB46, the latest leading technology in the world, which is designed for Car and Truck. Equipped with inverter technology system, 100% accurate positioning imbalance position. Two values automatic input of tire parameters. Switching "STD" and "ASL2" model intelligently without any manual operation to choose the model of balance. At six o'clock, the laser pointer to indicate the stick on weight position, which is ergonomic and practical. Ultra-low noise level 8 motor, strong power supports the safety in the first place, during the accurate and efficient balance, being your guardian and just right beside you!

Selling Point

- The machine has Italian software, user-friendly.
- The machine can balance both car wheel and truck wheel.
- Automatic acquisition of distance and diameter of the wheel.
- The machine has the function to stop the wheel on imbalance positions.
- Inverter technology gives different speed to the motor.
- The machine is integrated with pneumatic lift, efficiently and labor-saving.
- Intelligent toggle of STD and ALS2 balance modes.
- Six o'clock stick on mode, with laser indicating line, fast and convenient.

Technical data

Rim diameter	1" - 28" inch
Max wheel weight	200 kg
Max wheel diameter	1200mm
Rim width	2" - 20" inch
Precision	±1g (car) / ±10g (truck)
Motor Power	0.37kW
Power supply	100/230V 1ph
Rotation per minute	80rpm / 200rpm
Balancing time	9s (car) / 20s (truck)
Second time mounting test	≤5g
Machine dimensions	1600x1100x1480 mm
Packing dimension	1700x1100x1240 mm
Net weight	285 kg
Gross weight	318 kg
Loading in 40 Ft. container	14 sets

CB460B MATE OF TRUCK

The striking appearance, excellent performance in truck tires' balance, bigger display panel, clearer operation instructions, easier to learn.



1200 MM



10" - 24"



200 kg



1,5" - 20"



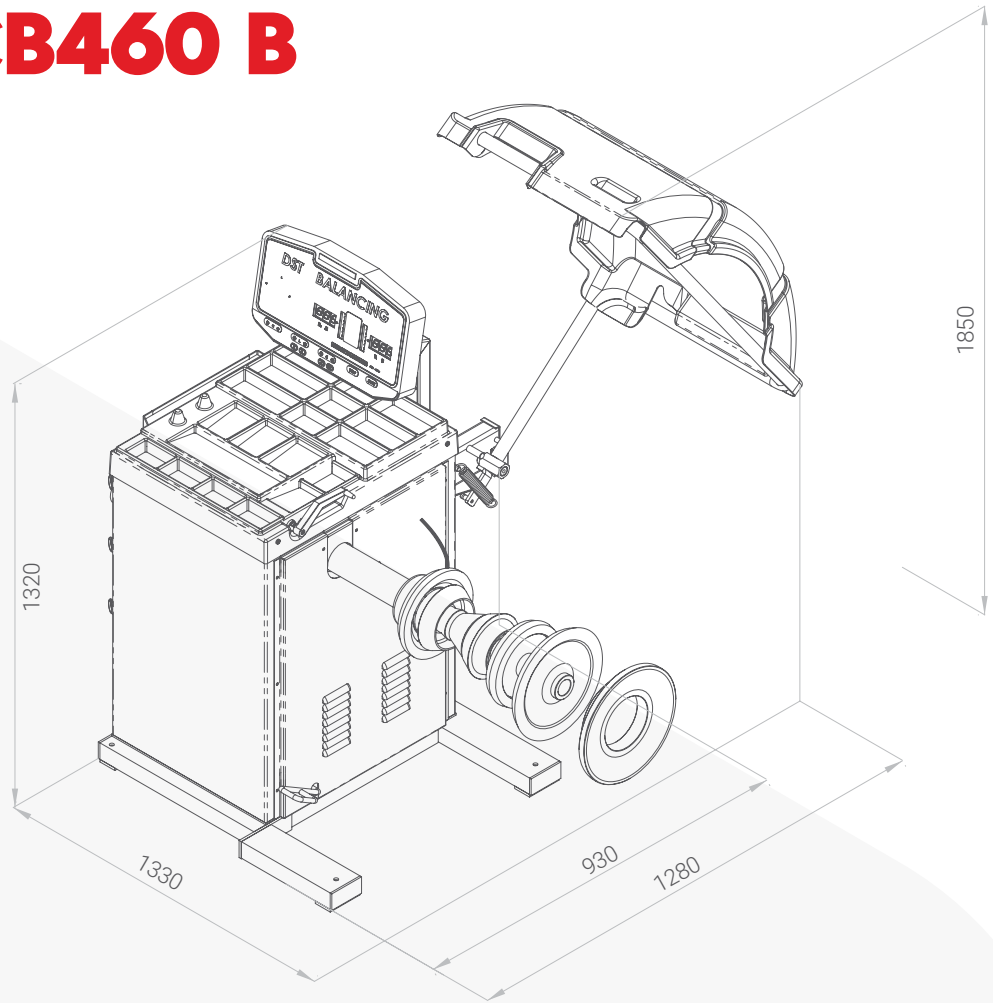
car 9 sec
truck 20 sec



car 100 rpm
truck 200 rpm

BRIGHT CB460 B

Line Drawing



Selling Point

- The balancer has independent intellectual property rights.
- LED display
- The machine can balance both car wheel and truck wheel.
- Customer can customize display of imbalance in 5 or 10.
- Three ALU balancing programs and STA balancing program.
- Manual brake for easy application of weight.
- The machine can change display from inch to millimeter, gram to ounce.
- The machine is integrated with pneumatic lift, efficiently and labor-saving.
- Clear digital tube display windows, make the data more visually direct from viewing.

Technical data

Rim diameter	10" - 24" inch
Max wheel weight	200 kg
Max wheel diameter	1200mm
Rim width	1,5" - 20" inch
Precision	±1g (car)/±10g (truck)
Motor Power	0.55kW
Power supply	100/230V 1ph
Rotation per minute	100rpm (car)/200rpm (truck)
Balancing time	9s (car) / 15s (truck)
Second time mounting test	≤5g
Machine dimensions	1330x1280x1320 mm
Packing dimension	1300x990x1130 mm
Net weight	220 kg
Gross weight	270 kg
Loading in 40 Ft. container	42 sets





BRIGHT

BRIGHT

MOBILE SERVICE VAN SERIES

—
30th





Tire changer system



850 MM



12" - 23"



3" - 12"

Wheel balance system



1100 MM



1" - 28"



70 kg



1,5" - 20"

MC30 OWN IT, OWN THE WHOLE

Comprehensive service solutions - vehicle description: The new model of physical shop plus mobile shop, much easier to obtain more customers' information and potential customers from the new channel, we firmly believe that the mobile service will change the pattern of market, and also makes people live happier and travel easier. Meanwhile, meeting the needs for maintenance, road rescue and professional tire changing.

Customization



BRIGHT MOBILE SERVICE



Tire changer system



Wheel balancer system



Comprehensive service solutions

- Meanwhile, meeting the needs for maintenance, road rescue and professional tire changing.
- The vehicle is the first one to adopt the international 48V dc power supply system;
- What's more, this is a tire service solution, which contains the tire changing, balance, tire repair, tire spread and quick maintenance service.
- And we provide door-to-door service for cars all around the world.
- Maintenance services: We choose the OPTIMA battery imported from US, and the working temperature can be between plus 50 and minus 40 Celsius degrees.
- We have already obtained the patent, for creating the first mobile tire shop in the world, also providing customized configuration plan according to the requirement, and meeting different needs of customers.

The description of tire changing system:

- The special design of tire changer, spacious room for technicians to work at the rear door;
- Direct current, based on battery which means energy conservation and environmental protection, equivalent to zero-emission.
- Besides, no crowbar, suitable for various kinds of tires. Equipped with assistive arm to meet the needs of run flat and RSC tire.
- The threaded shaft transmission, without any gap, no damage to tire, zero-damage to rim.

The description of balancing system:

- Hand spin wheel balancer, energy conservation and environmental protection,
- Tilt in & out structure, saving more interior space;
- Low-speed, normal working even at 100rpm;
- The software technology is from Italy, much higher accuracy on the balance stability;
- Adopting automatic gauge two value measurement to improve efficiency.

Tire changer technical data

Diameter	12" - 23"
Rim width	3" - 12"
Max Wheel Diameter	850mm
Working Pressure	6-8bar
Motor Power	0.8 Kw
Main Shaft Rotating Speed	8 rpm
Power supply	DC48V
Weight	260KG

Wheel balancer technical data

Rim Diameter	1" - 28"
Rim Width	1.5" - 20"
Max Wheel Diameter	1100mm
Second Times mounting test	≤5g
Main Shaft Rotating Speed	100 rpm
Max Weight	70kg
Power supply	DC48V
Weight	60 kg



Tire changer system



850 MM



12" - 23"



3" - 12"

Wheel balance system



1100 MM



1" - 28"



70 kg



1,5" - 20"

MC28 THOUSANDS OF MILES, TAKE CARE BY BRIGHT

The new model of physical shop plus mobile shop, much easier to obtain more customers' information and potential customers from the new channel, we firmly believe that the mobile service will change the pattern of market, and also makes people live happier and travel easier.

Customization



BRIGHT MOBILE SERVICE



Tire changer system



Wheel balancer system



Tire service solutions

- Meanwhile, meeting the needs for maintenance, road rescue and professional tire changing.
- The vehicle is the first one to adopt the international 48V dc power supply system;
- What's more, this is a tire service solution, which contains the tire changing, balance, tire repair, tire spread and quick maintenance service.
- And we provide door-to-door service for cars all around the world.
- Maintenance services: We choose the OPTIMA battery imported from US, and the working temperature can be between plus 50 and minus 40 Celsius degrees.
- We have already obtained the patent, for creating the first mobile tire shop in the world, also providing customized configuration plan according to the requirement, and meeting different needs of customers.

Tire changer system

- The special design of tire changer, spacious room for technicians to work at the rear door;
- Direct current, based on battery which means energy conservation and environmental protection, equivalent to zero-emission.
- Besides, no crowbar, suitable for various kinds of tires. Equipped with assistive arm to meet the needs of run flat and RSC tire.
- The threaded shaft transmission, without any gap, no damage to tire, zero-damage to rim.

The description of balance system:

- Hand spin wheel balancer, energy conservation and environmental protection,
- Tilt in & out structure, saving more interior space;
- Low-speed, normal working even at 100rpm;
- The software technology is from Italy, much higher accuracy on the balance stability;
- Adopting automatic gauge two value measurement to improve efficiency.

Tire changer technical data

Diameter	12" - 23"
Rim width	3" - 12"
Max Wheel Diameter	850mm
Working Pressure	6-8bar
Motor Power	0.8 Kw
Main Shaft Rotating Speed	8 rpm
Power supply	DC48V
Weight	260KG

Wheel balancer technical data

Rim Diameter	1" - 28"
Rim Width	1.5" - 20"
Max Wheel Diameter	1100mm
Second Times mounting test	≤5g
Main Shaft Rotating Speed	100 rpm
Max Weight	70kg
Power supply	DC48V
Weight	60 kg

589 MOBILE GOES WHEREVER YOU NEED

It keeps the quality remained in 13 years, it is seen in streets and roads in Europe, 589 makes mobile service and tire rescue service possible



1400 MM



13" - 26"



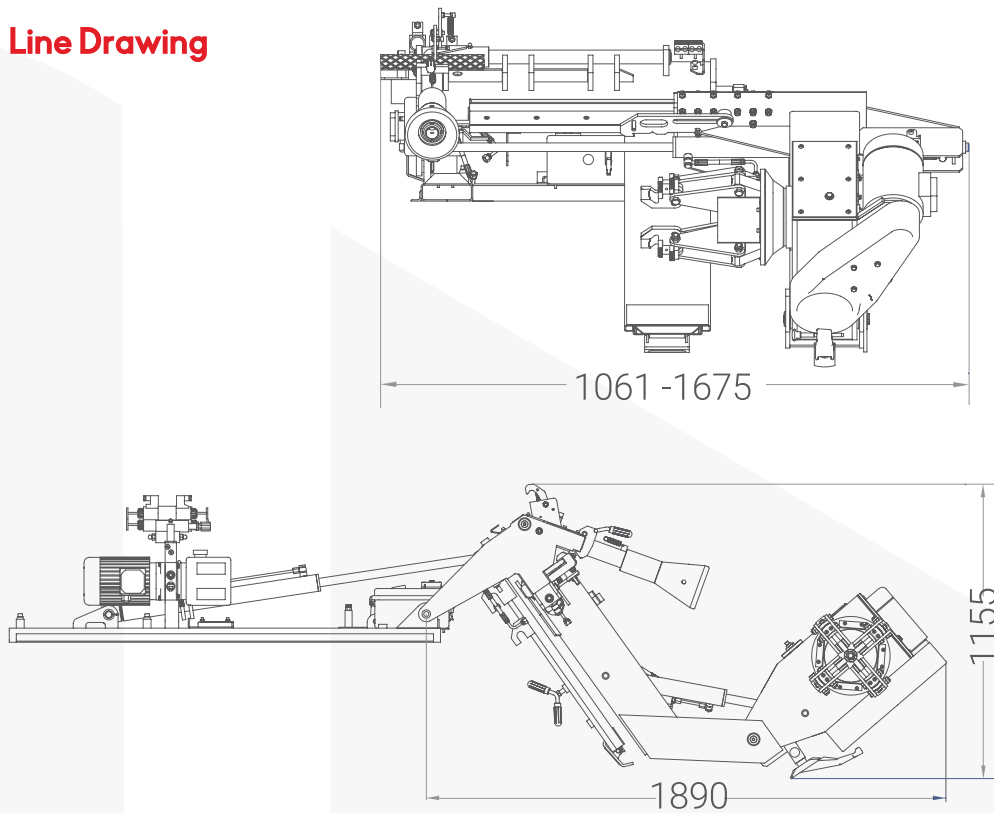
600 MM



130 - 150 bar

BRIGHT 589

Line Drawing



Description

Smaller size, lighter weight, which make the vehicle can load more tools for repair.
The demounting tool can be quickly stretched in and out of the vehicle. Saving time and easy to operate. Easily and quickly demounting and mounting the tire, precision casting jaws, durable, firmly clamp the rim

Selling Point

- Small size and light weight(520kg)makes the van can load more repair tools and tyres
- The tool can retract back into(19 seconds) and extend out (23 seconds)of the van to make the effective of mounting and demounting of tyre same to the workshop.
- Italian small chuck design, it can stop at any position, easy to mounting rim.
- Equipped with emergency manual pump to ensure it can be pull back without power supply. It has dead lock device, all valves have different color. Whole emergency operation can be done by only one person.
- Three position on bead breaker arm, convenient to choose suitable position.

Technical data

Rim Diameter	13" - 26" inch
Rim width	600 mm
Max wheel diameter	1400 mm
Hydraulic System Working Pressure	130 - 150 bar
Hydraulic Station motor Power	1.1kW/380V//50HZ/3Ph
Main Shaft motor Power	1.1kW /380V/ 50HZ/3PH
Noise	≤75dB
Packing dimension	1690x1140x1650mm
Net Weight/Gross Weight	510/739 kg
Loading in 20/40 Ft. container	7/14 sets

Private customized project

T1- mobile solution (According to the structure of the truck, provide you with the whole tire service solution of truck that can be used in the vehicle)

T2- container style solution (Can be hoisted in the truck's mobile shop)

T3- Customized solutions (Based on your requirements, we ask the designing team to give you the solution you need.)





BRIGHT LIFT SERIES

30th





GAMMA GAMMA SERIES Ground Monster

Ultra-thin wheel alignment scissor lift

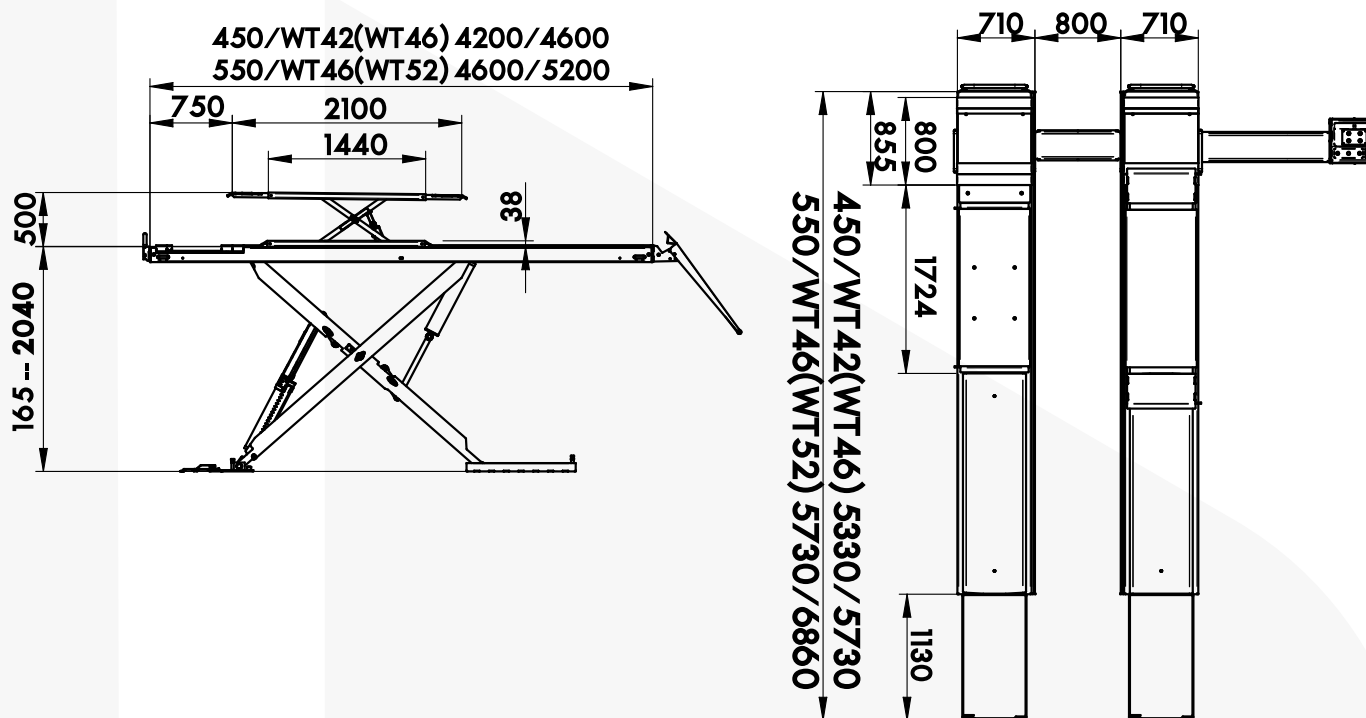


4500	KG
5500	



GAMMA 450/WT42(46) 550/WT46(52)

Line Drawing



Selling Point

- Various patent design
- Various patents, heavy-duty wheel alignment scissor lift.
- Pneumatic locking sliding plate, easier and more durable.
- Separately hydraulic system on double lifting function, front and rear extension on the second lifting table, cover full types of vehicles.
- The platform has anti-deformation structure and provides multiple ways of adjustments.
- Friendly design, various modification to make sure two platform be even.
- Each lift passes the test of 115% dynamic load and 150% static load, safe and reliable.
- Bright lift is equipped with product liability insurance globally.

Technical data

	450/WT42(46)	550/WT46(52)
Main lift capacity	4500kg	5500kg
Lift table capacity	4000kg	4000kg
Lifting time	45s	45s
Lowering time	40s	40s
Platform length	4200mm/4600mm	4600mm/5200mm
Main lift lifting height	2040mm	2040mm
Lift table lifting height	500mm	500mm
Minimum height	165mm	165mm
Total width	2220m	2220m





SIGMA

SIGMA SERIES

Lifting smoothly, Up to sky

Ultra-thin scissor lift



3200 | **KG**

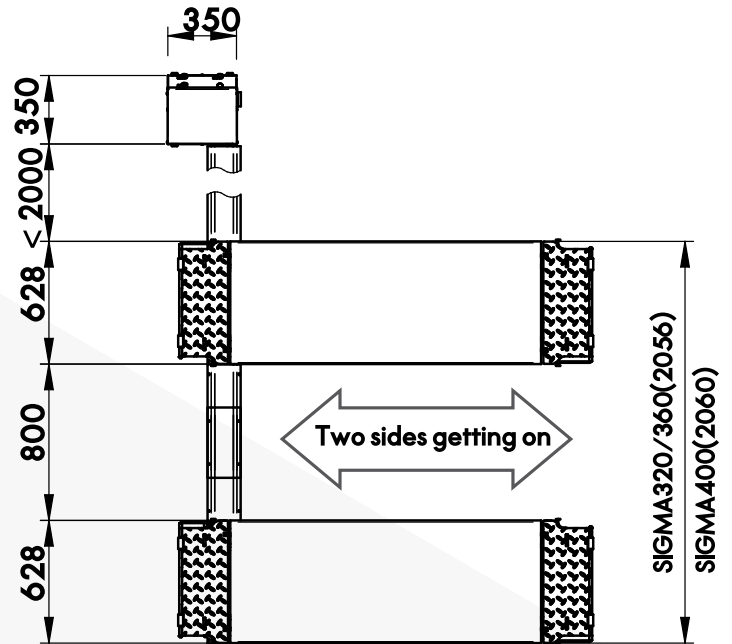
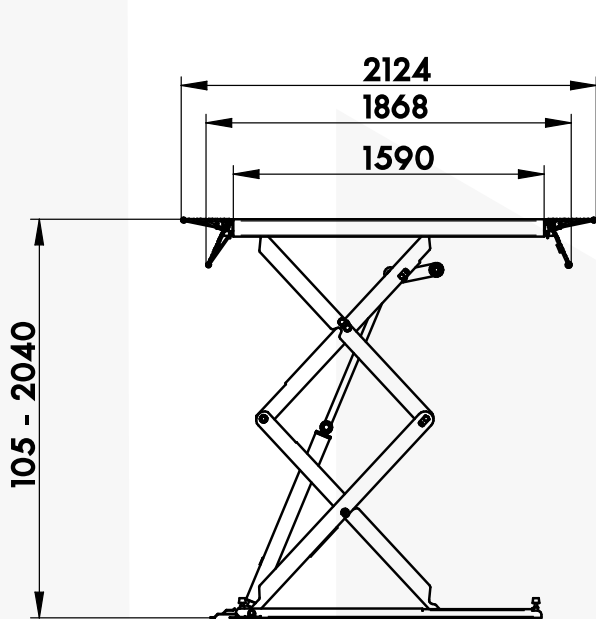
3600 | **KG**

4000 | **KG**



SIGMA 320/360/400

Line Drawing



Selling Point

- Thinnest in China, 105-110mm ultra-thin design Highest in China, maximum lifting height 204mm.
- Globally patent design. Each group of main cylinders are equipped with a parachute valve to ensure safety.
- The leveling system make sure the two platforms work like one platform, no air and electric devices under platform.
- Two sides getting on, make full use of space. Adjusted haps, much safer on wheel. Body structure reinforced, much stronger.
- Each lift passes the test of 115% dynamic load and 150% static load, safe and reliable.
- Bright lift is equipped with product liability insurance globally.

Technical

	320	360	400
Capacity	3200kg	3600kg	4000kg
Lifting time	40s	40s	40s
Lowering time	40s	40s	40s
Motor	380V 3kw 3Ph 50Hz-60Hz	380V 3kw 3Ph 50Hz-60Hz	380V 3kw 3Ph 50Hz-60Hz
Lifting height	2040mm	2040mm	2040mm
Minimum height	105mm	110mm	110mm
Total width	2056mm	2056mm	2060mm
Total weight	760Kg	800Kg	850Kg



PI PI SERIES Undiscovered Talents

Under-ground small scissor lift



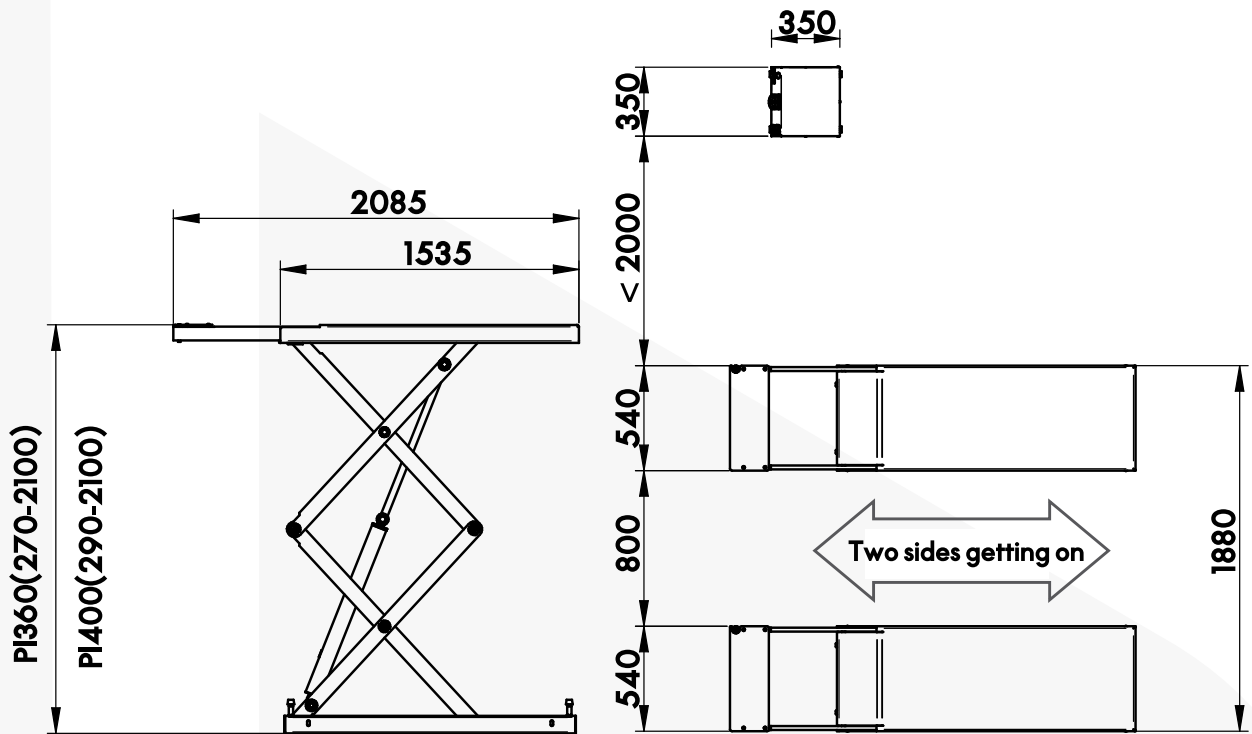
3600 | **KG**

4000 | **KG**



PI 360/400

Line Drawing



Selling Point

- Globally patent design.
- Each group of main cylinders are equipped with a parachute valve to ensure safety. The leveling system make sure the two platforms work one platform, no air and electric devices under platform.
- Two sides getting on, make full use of space. Full load lifting from zero position. The lift is designed for easy installation and easy maintenance.
- Nylon slide pads, long life-used, Maintenance free for its life time. 1535mm-2085mm platform with extensions. Automatic runway leveling system with master and slave hydraulic independent circuits. Emergency release valve.
- Each lift passes the test of 115% dynamic load and 150% static load, safe and reliable.
- Bright lift is equipped with product liability insurance.

Technical

	360	400
Capacity	3600kg	4000kg
Lifting time	45s	45s
Lowering time	40s	40s
Motor	380V 3Kw 3Ph 50Hz-60Hz	380V 3Kw 3Ph 50Hz-60Hz
Lifting height	2100mm	2100mm
Minimum height	270mm	290mm
Total width	1880mm	1880mm
Total weight	740Kg	800Kg





OMEGA OMEGA SERIES As Easy As Pie

Low profile scissor lift



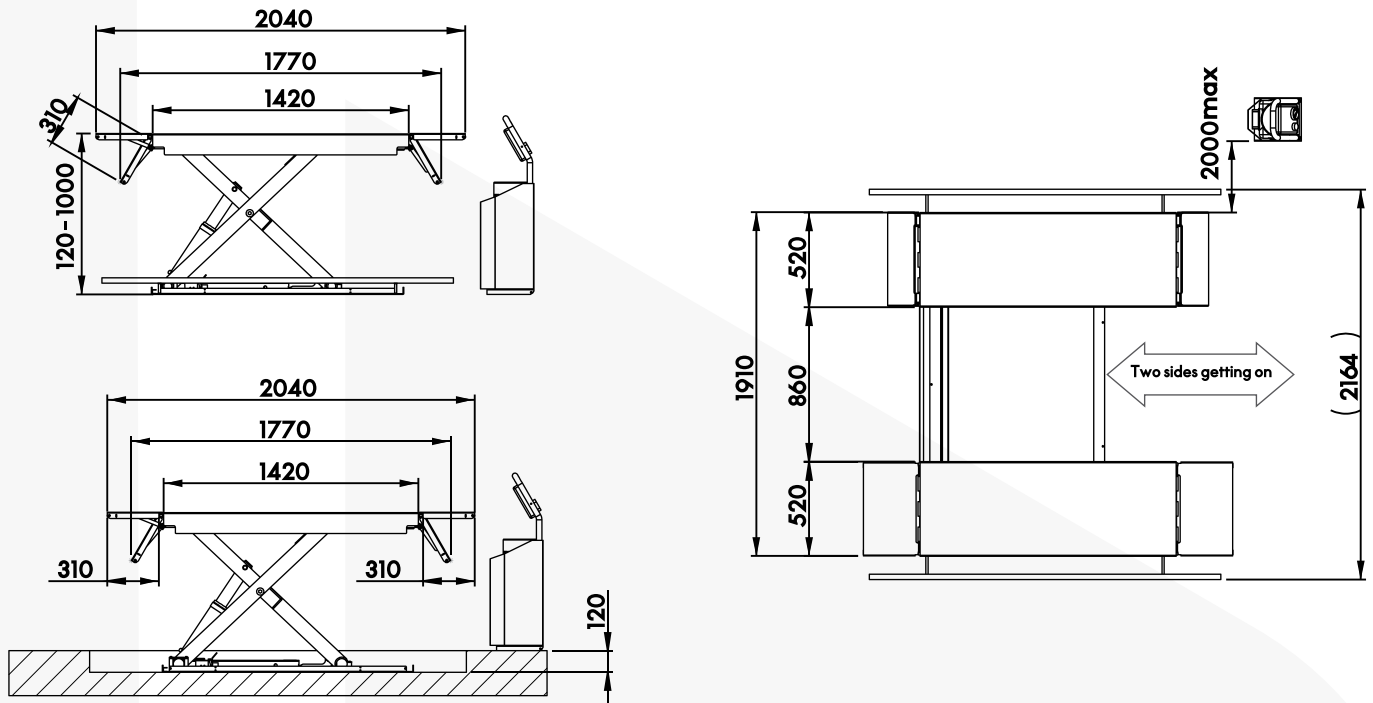
3200 | **KG**

3600 | **KG**



OMEGA 320/360

Line Drawing



Selling Point

- Globally patent design.
- Two sides getting on, make full use of space.
- Unique locking system is safe and user-friendly.
- Each lift passes the test of 115% dynamic load and 150% static load, safe and reliable.
- Bright lift is equipped with product liability insurance.



Technical

	320	360
Capacity	3200kg	3600kg
Lifting time	25s	25s
Lowering time	18s	18s
Motor	380V 3Kw 3Ph 50Hz-60Hz	380V 3Kw 3Ph 50Hz-60Hz
Lifting height	1000mm	1000mm
Minimum height	120mm	120mm
Total width	2164mm	2164mm
Total weight	500Kg	550Kg

Regular Use ●●●●●



BETA BETA SERIES Powerful Lift

Two post lift top connection

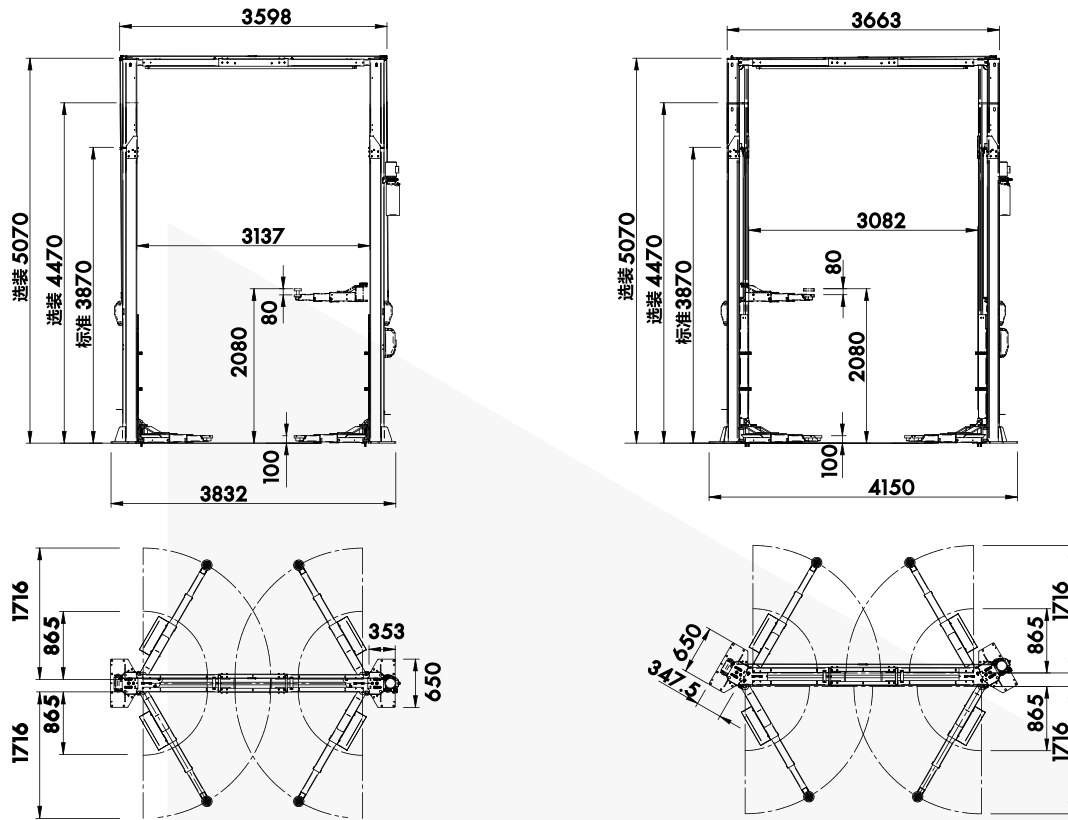


4500 | KG

5500 | KG

BETA 45/55

Line Drawing



Selling Point

- Each group of main cylinders is equipped with a parachute valve to ensure safety. Nylon slide pads, long life-used, Maintenance free for its lifetime. Two installations ways-easy to open the door.
- Environment-friendly and low noise design. Equipped with 600mm column extension frame and 1200mm column extension frame. Two different column extensions for different space options. The column adopts an 8-fold bending structure and built-in reinforcement to maximize the column strength. Unique electro locking system has zero defects.
- Base plate thickness is 20mm, Support arm thickness is 6/8mm.Parachute valve inside the cylinder to ensure user safety. The door anti-collision rubber protection is put on the carriage and support arm to facilitate the entry and exit from the vehicle.1.8m long carriage design. Vulcanized rubber pad has long life.
- Each lift passes the test of 115% dynamic load and 150% static load, safe and reliable.
- Bright lift is equipped with product liability insurance.

Technical

	45	55
Capacity	4500kg	5500kg
Lifting time	40s	40s
Lowering time	40s	40s
Motor	380V 3Kw 3Ph 50Hz-60Hz	380V 3Kw 3Ph 50Hz-60Hz
Lifting height	1980mm	1980mm
Minimum height	100mm	100mm
Total width	3920/4150mm	3920/4150mm
Total weight	1150Kg	1200Kg



ALPHA ALPHA SERIES Play A Decisive Role

Two post lift with floor connection



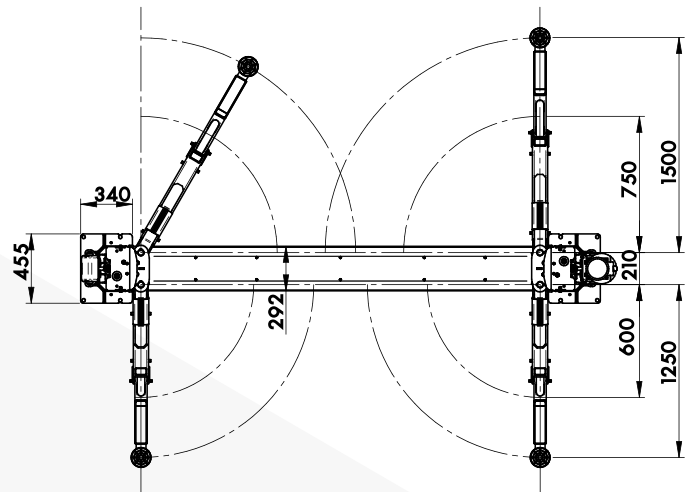
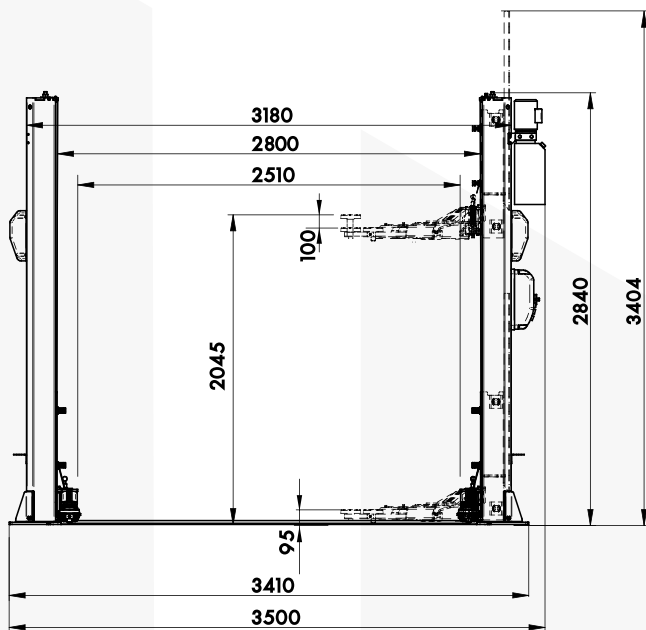
3500 | KG

4500 | KG



ALPHA 35/45

Line Drawing



Selling Point

- Each group of main cylinders is equipped with a parachute valve to ensure safety. Nylon slide pads, long life-used, Maintenance free for its lifetime. Cylinder shaft has diameter of 50mm,3-year warranty.
- Environment-friendly and low noise design. The column adopts an 8-fold bending structure and built-in reinforcement to maximize the column strength. Unique electro locking system has zero defects. Height carriage is 0.7 meter. The door anti-collision rubber protection is put on the carriage and support arm to facilitate the entry and exit from the vehicle.
- Base plate thickness is 16/20mm; Vulcanized rubber pad has longer life. Equipped with switch protection for chain.
- Each lift passes the test of 115% dynamic load and 150% static load, safe and reliable.
- Bright lift is equipped with product liability insurance.

Technical

	35	45
Capacity	3500kg	4500kg
Lifting time	40s	40s
Lowering time	40s	40s
Motor	380V 3Kw 3Ph 50Hz-60Hz	380V 3Kw 3Ph 50Hz-60Hz
Lifting height	2045mm	2045mm
Minimum height	95mm	95mm
Total width	3500mm	3500mm
Total weight	670Kg	750Kg





BRIGHT

BRIGHT

WHEEL ALIGNMENT SERIES

30th



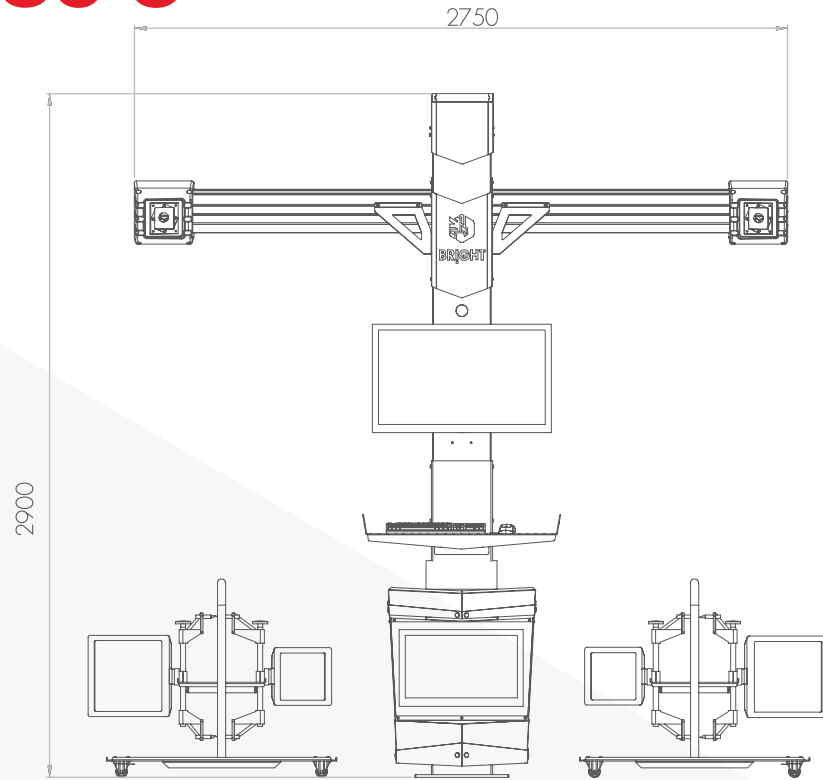
A730S A LATELY GREAT BLOOMING

This fashion edition is more personalized. This new splendid design will seamlessly integrate with your store. The perfect equipment Provide ergonomics and ease of use can not be ignored since your first operation, with experience you will appreciate more and more the inner capabilities of Bright machines



BRIGHT A730 S

Line Drawing



Product feature

- Italian professional intelligent software, clear interface, convenient operation.
- Mobile trolley, target is not restricted by the space, can be placed conveniently.
- Two display monitors are more practical and fashionable, customer's view is not restricted, improve the working efficiency.
- Measurement accuracy reached international advanced level, approved by the customers.
- Unique high definition 8x8 and 8x9 target boards, surface can be cleaned and anti-corrosion.
- Specialized high accuracy cameras, capture the target swiftly, stable and reliable performance.
- In the display interface with various light options, is not restricted by the sun light during the work.
- High configuration brand PC, original window system, quality is guaranteed, complete and no virus to ensure the stable operation.
- More than 30000 international vehicle datas, covering 99.99% models

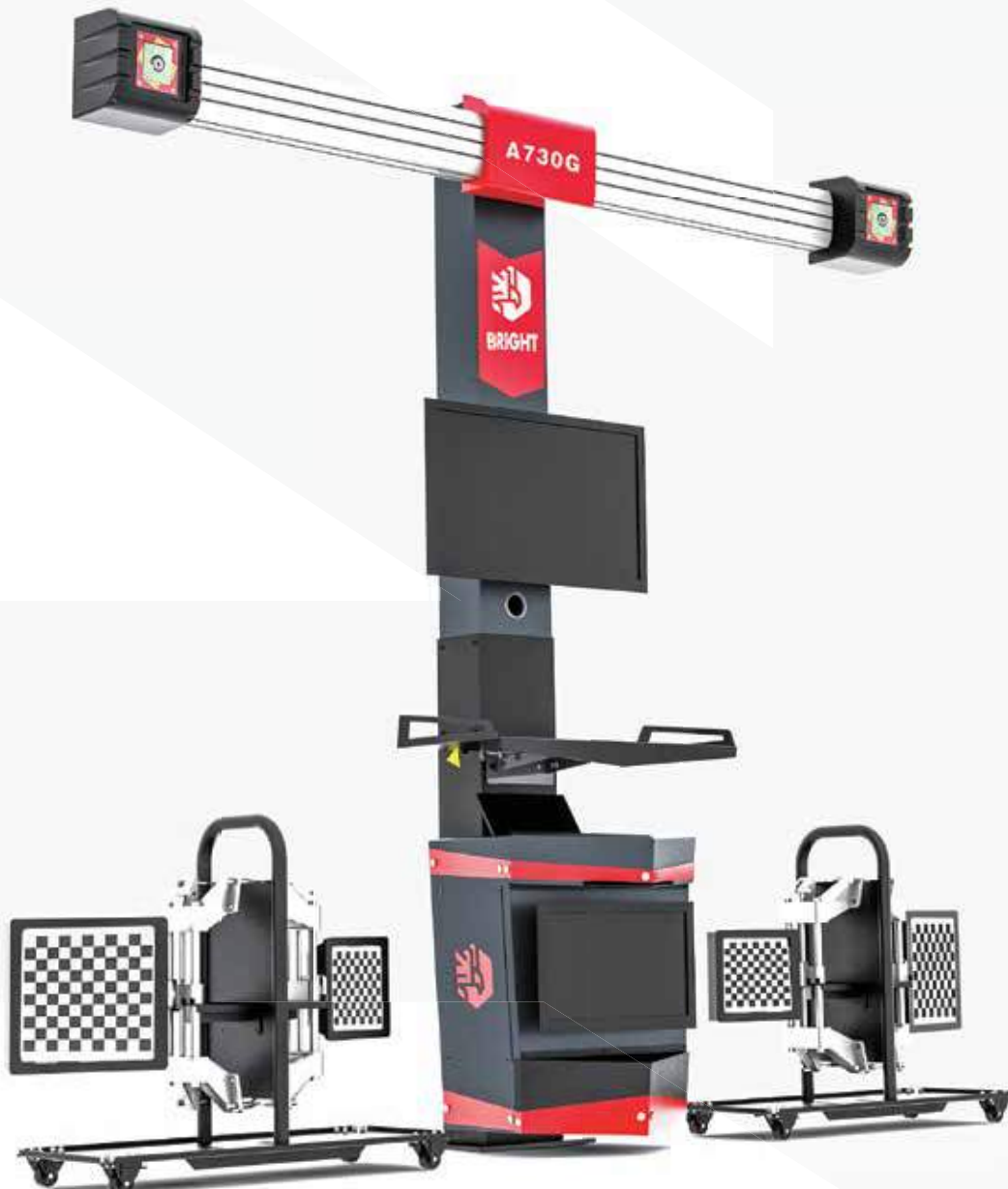
Technical data

Front axle	ACCURACY	MEASURING RANGE	TOTAL MEASURING RANGE
Total toe	±3'	±4°	±48°
Total toe	±6'	±4÷48°	±48°
Partial toe	±1.5'	±2°	±24°
Partial toe	±3'	±4÷24°	±24°
Set-back	±5'	±3°	±3°
Camber	±5'	±3°	±10°
Camber	±7'	±3÷10°	±10°
Caster	±10'	±24°	±24°
King-pin	±10'	±24°	±24°
Rear axle			
Total toe	±3'	±4°	±48°
Total toe	±6'	±4÷48°	±48°
Partial toe	±1.5'	±2°	±24°
Partial toe	±3'	±4÷24°	±24°
Set-back	±5'	±3°	±3°
Camber	±5'	±3°	±10°
Camber	±7'	±3÷10°	±10°
Thrust angle	±2'	±3°	±24°



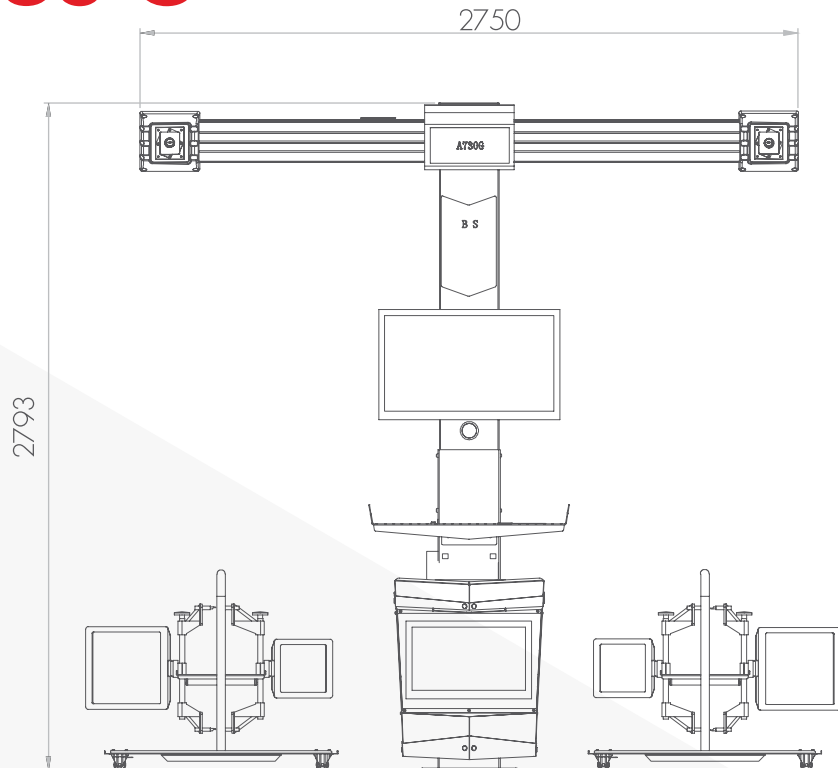
A730G Dapper

The Professional edition is particularly attractive any time and everywhere. The ultra-low height and the splendid outlook are unique with their great aesthetic design, providing glamour and strong performances to your store



BRIGHT A730 G

Line Drawing



Product feature

- Italian professional intelligent software, clear interface, convenient operation.
- Mobile trolley, target is not restricted by the space, can be placed conveniently.
- Two display monitors are more practical and fashionable, customer's view is not restricted, improve the working efficiency.
- The beam angle can be adjusted and tilted by motor, suitable for different wheel base vehicles. Post height can be two stages, 2 m and 2.5 m, the operation is not restricted by the space.
- Measurement accuracy reached international advanced level, approved by the customers.
- Unique high definition 8x8 and 8x9 target boards, surface can be cleaned and anti-corrosion.
- Specialized high accuracy cameras, capture the target swiftly, stable and reliable performance.
- In the display interface with various light options, is not restricted by the sun light during the work.
- High configuration brand PC, original window system, quality is guaranteed, complete and no virus to ensure the stable operation.
- More than 30000 international vehicle datas, covering 99.99% models

Technical data

Front axle	ACCURACY	MEASURING RANGE	TOTAL MEASURING RANGE
Total toe	±3'	±4°	±48°
Total toe	±6'	±4÷48°	±48°
Partial toe	±1.5'	±2°	±24°
Partial toe	±3'	±4÷24°	±24°
Set-back	±5'	±3°	±3°
Camber	±5'	±3°	±10°
Camber	±7'	±3÷10°	±10°
Caster	±10'	±24°	±24°
King-pin	±10'	±24°	±24°
Rear axle			
Total toe	±3'	±4°	±48°
Total toe	±6'	±4÷48°	±48°
Partial toe	±1.5'	±2°	±24°
Partial toe	±3'	±4÷24°	±24°
Set-back	±5'	±3°	±3°
Camber	±5'	±3°	±10°
Camber	±7'	±3÷10°	±10°
Thrust angle	±2'	±3°	±24°



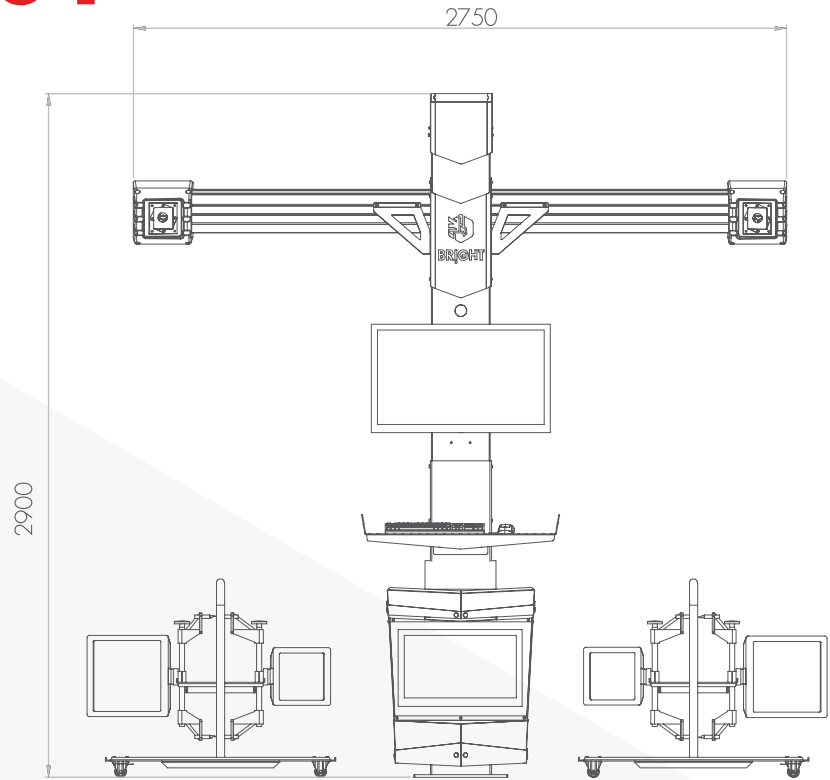
A730P Sworn

Both design and operation are carefully optimized, each detail is focused on the operator's experience. This stunning luxury edition meets every sophisticated request and bring high performances to your store



BRIGHT A730 P

Line Drawing



Product feature

- Italian professional intelligent software, clear interface, convenient operation.
- Mobile trolley target, is not restricted by the space, can be placed conveniently.
- Two display monitors are more practical and fashionable, customer's view is not restricted, improve the working efficiency .
- The beam has the up and down movement, can be adjusted and controlled by the motor, suitable for different shops' height or vehicle lifting height, beam movement range is between 0.75m – 2.8m, make the work more convenient and fast.
- Measurement accuracy reached international advanced level, approved by the customers.
- Unique high definition 8x8 and 8x9 target boards, surface can be cleaned and anti-corrosion.
- Specialized high accuracy cameras, capture the target swiftly, stable and reliable performance.
- In the display interface with various light options, is not restricted by the sun light during the work.
- High configuration brand PC, original window system, quality is guaranteed, complete and no virus to ensure the stable operation.
- More than 30000 international vehicle datas, covering 99.99% models

Technical data

Front axle	ACCURACY	MEASURING RANGE	TOTAL MEASURING RANGE
Total toe	±3'	±4°	±48°
Total toe	±6'	±4÷48°	±48°
Partial toe	±1.5'	±2°	±24°
Partial toe	±3'	±4÷24°	±24°
Set-back	±5'	±3°	±3°
Camber	±5'	±3°	±10°
Camber	±7'	±3÷10°	±10°
Caster	±10'	±24°	±24°
King-pin	±10'	±24°	±24°
Rear axle			
Total toe	±3'	±4°	±48°
Total toe	±6'	±4÷48°	±48°
Partial toe	±1.5'	±2°	±24°
Partial toe	±3'	±4÷24°	±24°
Set-back	±5'	±3°	±3°
Camber	±5'	±3°	±10°
Camber	±7'	±3÷10°	±10°
Thrust angle	±2'	±3°	±24°







**BRIGHT
KEEP CREATING VALUE**

